

9800 Martel Road

Lenoir City, TN 37772

www.ps-engineering.com



PMA8000C

Document P/N 200-890-0303

Revision 9, December 2023

For units with Serial Number FC1426 and above

Audio Selector Panel with Marker Beacon Receiver
High-fidelity Stereo Intercom

System Installation and Operation Manual

FAA- TSO C50c, C35d

EASA ETSO C50c, 2C35d

Patented under one or more of the following;
No. 4,941,187; 5,903,227; 6,160,496 and 6,493,450

**In certified aircraft, warranty is not valid unless this product is installed by an
Authorized PS Engineering dealer.**

PS Engineering, Inc. 2023 ©

Copyright Notice

Any reproduction or retransmittal of this publication, or any portion thereof, without the expressed written permission of PS Engineering, Inc. is strictly prohibited. For further information contact the Publications Manager at PS Engineering, Inc., 9800 Martel Road, Lenoir City, TN 37772. Phone (865) 988-9800, email contact@ps-engineering.com.

Table of Contents

Section I – GENERAL INFORMATION	1-1
1.1 INTRODUCTION.....	1-1
1.2 SCOPE	1-1
1.3 EQUIPMENT DESCRIPTION.....	1-1
1.4 APPROVAL BASIS	1-2
1.5 SPECIFICATIONS.....	1-2
1.6 EQUIPMENT SUPPLIED.....	1-4
1.7 EQUIPMENT REQUIRED BUT NOT SUPPLIED	1-4
1.8 LICENSE REQUIREMENTS.....	1-4
Section II - INSTALLATION	2-1
2.1 GENERAL INFORMATION.....	2-1
2.1.1 SCOPE.....	2-1
2.1.2 CERTIFICATION REQUIREMENTS	2-1
2.2 UNPACKING AND PRELIMINARY INSPECTION	2-1
2.3 EQUIPMENT INSTALLATION PROCEDURES.....	2-1
2.3.1 COOLING REQUIREMENTS	2-1
2.3.2 MOUNTING REQUIREMENTS	2-1
2.3.3 AUDIO PANEL MOUNTING RACK INSTALLATION	2-1
2.3.4 AUDIO PANEL TRAY AND CONNECTOR ASSEMBLY	2-2
2.4 CABLE HARNESS WIRING	2-2
2.4.1 ELECTRICAL NOISE.....	2-3
2.4.2 EXISTING GMA340 INSTALLATION.....	2-3
2.4.3 POWER	2-3
2.4.4 COMMUNICATIONS PUSH-TO-TALK.....	2-4
2.4.5 AUDIO PANEL INTERFACE	2-4
2.4.6 TRANSMIT INTERLOCK	2-4
2.4.7 BACKLIGHTING.....	2-4
2.4.8 UNSWITCHED INPUTS.....	2-4
2.4.9 "SWAP" MODE	2-5
2.4.10 BLUETOOTH TELEPHONE FUNCTION	2-5
2.4.11 PUBLIC ADDRESS MODE.....	2-6
2.4.12 PA MUTE (J2, PIN 12).....	2-6
2.4.13 MISCELLANEOUS LOGIC OUTPUT (J2, PIN 18)	2-6
2.4.14 MARKER HIGH SENSITIVITY (J2 PIN 13)	2-6
2.5 INTERCOM WIRING.....	2-6
2.5.1 ENTERTAINMENT INPUTS.....	2-6
2.5.2 ENTERTAINMENT MUTING	2-7
2.5.3 CONFIGURING MUSIC INPUT WITH FUNCTION KEYS.....	2-7
2.5.4 PLAYBACK BUTTON INSTALLATION.....	2-7
2.5.5 PASSENGER INTERCOM EXPANSION (050-890-0313 ONLY)	2-7
2.6 MARKER BEACON INSTALLATION	2-8
2.6.1 MARKER ANTENNA INSTALLATION	2-8
2.6.2 EXTERNAL MARKER LIGHTS	2-8
2.6.3 MIDDLE MARKER SENSE	2-8
2.7 ADJUSTMENTS.....	2-8
2.7.1 INSTALLATION FUNCTION SELECTION	2-9
2.8 COMMUNICATIONS ANTENNA INSTALLATION NOTES	2-10
2.9 PMA8000C PIN ASSIGNMENTS.....	2-11
2.10 WIRING CHECKOUT.....	2-12
2.11 UNIT INSTALLATION	2-12
2.12 OPERATIONAL CHECKOUT	2-12
2.12.1 REQUIRED TEST EQUIPMENT	2-12
2.12.2 AUDIO PANEL TEST	2-12
2.12.3 MARKER CHECKOUT	2-13

PS Engineering
PMA8000C Audio Selector Panel and Intercom System
Installation and Operator's Manual

2.12.4 BLUETOOTH TELEPHONE CHECKOUT..... 2-13

2.12.5 INTERNAL RECORDER CHECKOUT..... 2-13

2.12.6 FUNCTION BUTTON CHECKOUT 2-13

2.13 FINAL INSPECTION..... 2-14

Section III OPERATION 3-1

3.1 SCOPE..... 3-1

3.2 COMMUNICATIONS TRANSMIT (XMT) SELECTION (2)..... 3-1

3.3 AUDIO SELECTOR (4)..... 3-2

3.4 BLUETOOTH® TELEPHONE..... 3-2

3.4.1 CELL PHONE SIDETONE 3-3

3.5 SPEAKER AMPLIFIER (5)..... 3-3

3.6 MARKER BEACON OPERATION (9) 3-3

3.7 INTERCOM OPERATION..... 3-4

3.7.1 *INTELLIVOX®* VOX-SQUELCH..... 3-4

3.7.2 INTERCOM VOLUME CONTROL (7) 3-4

3.7.3 INTERCOM MODES (8) 3-5

3.8 MUSIC DISTRIBUTION AND MUSIC MUTING (6)..... 3-5

3.8.1 MUSIC MUTING 3-5

3.8.2 MUSIC IN PILOT ISO MODE..... 3-6

3.9 SMART FUNCTION KEYS (SFK) 3-6

3.9.1 INTERCOM FUNCTION (A) (ALTERNATE INTERCOM FUNCTION)..... 3-7

3.9.2 MONITOR FUNCTION (B) (MONITOR MODE)..... 3-7

3.9.3 MUSIC FUNCTION (C) (MUSIC DISTRIBUTION CONTROL)..... 3-8

3.9.4 MUSIC 1 VOLUME..... 3-9

3.10 BLUETOOTH® INTERFACE 3-9

3.10.1 PAIRING AND UNPAIRING BLUETOOTH DEVICES 3-9

3.10.2 BLUETOOTH TELEPHONE MODE..... 3-10

3.10.3 POWER ON ANNOUNCEMENT 3-10

3.11 INTERNAL RECORDER AND PLAYBACK 3-11

Section IV – Warranty and Service..... 4-1

4.1 WARRANTY..... 4-1

4.2 FACTORY SERVICE..... 4-1

Appendix A – External PTT Hook Up..... A

Appendix B – PMA8000C Installation DrawingsB

Appendix C – J1 PMA8000C Connector Interconnect C

Appendix D – J2 Connector Interconnect D

Appendix E – Instructions for FAA Form 337 and continuing airworthiness.....E

9.1 INSTRUCTIONS FOR FAA FORM 337, AUDIO PANELSE

9.2 INSTRUCTIONS FOR CONTINUING AIRWORTHINESS, AUDIO SYSTEME

Appendix F – RTCA DO160D Environmental Qualification FormF

Rev	Date	Change
0	December 2011	New Release of manual p/n -0303, for PMA8000C
1	March 2012	Added Stuck Mic Protection §3.2.1.4
2	September 2012	Clarified Bluetooth® connection modes, §3.11.1
3	May 2014	Added expansion capability for part number 050-890-0313
4	May 2015	Updated PA Jumper illustration §2.4.12 and minimum brightness §2.4.7
5	May 2015	Add clarification for Unswitched #1 in fail safe
6	March 2020	Updated Bluetooth ID
7	January 2021	Revised Installation Kit
8	June 2023	Revised Installation Kit contents
9	December 2023	Eliminated 2.5 mm jack (Serial XXXX and above)

Section I – GENERAL INFORMATION

1.1 INTRODUCTION

The PMA8000C represents another evolutionary step in cockpit audio control and intercommunications utility. Using our patented *IntelliVox*® design and pilot programmable configurations, this marks the next level of audio control. The unit is designed for outstanding ergonomics and visually defined mode annunciation and selection.

Before installing and/or using this product, please read this manual completely. This will ensure that you will take full advantage of all the advanced features in the PMA8000C.

1.2 SCOPE

This manual provides detailed installation and operation instructions for the PS Engineering PMA8000C-series of Audio Selector Panel/Intercom Systems. This includes the following units:

<u>Model</u>	<u>Description</u>	<u>Part Number</u>
PMA8000C	Stereo Audio Selector Panel with Marker Beacon includes Bluetooth® interface and Internal Recorder System. This unit supports three com transceivers.	050-890-0303
PMA8000C	Same as above, but with expansion capability	050-890-0313

1.3 EQUIPMENT DESCRIPTION

The PMA8000C is a state-of-the-art audio isolation amplifier and audio selector that contains an automatic voice activated (VOX) intercom system and integral marker beacon receiver. It can switch three transceivers (COM 1, COM 2, COM 3) and six receivers (NAV 1, NAV 2, ADF, AUX (DME) and MKR).

A full duplex cellular telephone interface allows the PMA8000C to act as an audio interface between aircraft headphone and microphones and specific aircraft approved (FAA/FCC) cellular telephone equipment, using the Bluetooth® connectivity.

Warning: Use of non-aviation approved cellular telephone equipment may be prohibited by FCC regulation. PS Engineering is not responsible for unauthorized airborne use of cellular telephones. For airborne use, the PMA8000C must be interfaced with an approved system.

There are four unswitched inputs, available for traffic or EGPWS, autopilot disconnect, and/or radar altimeter warning.

Pushbuttons select the receiver audio source provided to the headphones. A SPR button allows the user to listen to the receiver(s) selected on the cabin speaker. Except for the unswitched inputs, all speaker audio is muted during transmit. Unswitched inputs 1, 3, and 4 are always presented to the aircraft speaker. Unswitched input 2 will be presented to the speaker when the front panel SPR push button has been selected. Unswitched input 3 is adjustable, see § 2.4.8.

Pushbutton switches allow the crew to select one of the communication transceivers (COM 1, COM 2 or COM 3) for the pilot and copilot position, and allows radio transmission. In "Split Mode" the PMA8000C has the ability to allow the pilot to transmit on COM 1 or COM 2, while the copilot can transmit on COM 2 or COM 3 at the same time. A fail-safe mode connects the pilot headphone and microphone to COM 1 if power is removed for any reason, or if the power switch is placed in the Off (Fail-safe) position. Unswitched input #1 is also provided to the pilot headphone in fail-safe. In serial number DC1186 and above, COM 1 is present in the left ear, and Unswitched #1 is in the right ear.

A voice activated (VOX) intercom is included in the PMA8000C. This system has PS Engineering's patented *IntelliVox*® circuitry that eliminates manual adjustments. The intercom system incorporates pilot isolate, all and crew modes, two independent stereo music inputs with "SoftMute™". Intercom volume control is through two concentric front panel knobs and a pushbutton intercom mode switch. The small volume knob

controls the intercom level for the pilot and copilot, while the large knob controls the passenger intercom volume. Intercom squelch is automatic.

The PMA8000C P/N 050-890-0303 has a 6-place intercom, while the 050-890-0313 can support two expansion units for up to a 14 place intercom (2 crew +12 passenger positions).

A 3-light, 75 MHz Marker Beacon receiver is integrated in the PMA8000C. This provides the necessary Marker Beacon lights and audio indications necessary for that portion of an Instrument Landing System (ILS) approach. A pushbutton labeled MKR allows the pilot select the receiver audio as well as test and mute modes.

In the PMA8000C, a Bluetooth® wireless interface is available for wireless telephone and music connection.

1.4 APPROVAL BASIS

FAA TSO Approval.

The PMA8000C-series Audio Selector Panels are FAA approved under TSO C50c (Audio Amplifiers) and TSO C35d (Marker Beacon Receivers), ETSO C50c/ and 2C53d.

All systems comply with relevant portions of EUROCAE RTCA MPS WG No. 7/70, DO-143 and (*Marker Beacon Receivers*), ED-14C/DO-160C (*Environmental Conditions and Test Procedures for Airborne Equipment*), ED12B/DO-178B, Level D (*Software Considerations for Airborne Equipment*) and ED- 18/DO-214 (*Audio Systems Characteristics and Minimum Operational Performance Standards for Aircraft Audio Systems*).

Operation is subject to the following conditions:

This device may not cause harmful interference.

This device must accept any interference received, including interference that may cause undesired operation.

1.5 SPECIFICATIONS

TSO COMPLIANCE	
<i>Marker Beacon:</i>	FAA TSO C35d, Class A ETSO 2C35d
<i>Audio Selector/Intercom:</i>	FAA TSO C50c, Class 1a ETSO C50c
APPLICABLE DOCUMENTS:	RTCA/DO-214 RTCA/DO-143 RTCA/DO-160D RTCA/DO-178B DO-254
ENVIRONMENTAL Qualifications:	A1D1CABSMXXXXXXZBABATBXXE2XXX
<i>Operating Temperature Range:</i>	-15° C to 55°C
<i>Altitude:</i>	Up to 50,000 feet in a non-pressurized area
DIMENSIONS:	Height: 1.3 in. (3.3 cm) Width: 6.25 in. (16.9 cm) Depth behind panel 7.15 in. (18.16 cm)
WEIGHT <i>PMA8000C Unit</i> <i>Rack with connectors</i>	1.34 lb. (0.61 kg) 0.51 lb. (0.24 kg)
POWER REQUIREMENTS (Including Internal Lighting):	
<i>Voltage:</i>	11 to 33 VDC
<i>Maximum Current:</i>	2.5 Amp (Externally protected by a 5A pull-type breaker)

PS Engineering
PMA8000C Audio Selector Panel and Intercom System
Installation and Operator's Manual

Audio Selector Specifications	
<i>Audio selector panel input impedance:</i>	510 Ω
<i>Input Isolation:</i>	-60 dB (min.)
<i>Speaker Muting:</i>	-60 dB (min.)
<i>Speaker Output (into 4 Ω) with no clipping</i> 14 VDC: 28 VDC:	3 Watts (min.) 10 Watts (min.)
<i>Receiver Inputs:</i>	9 (COM 1, COM 2, COM 3, NAV 1, NAV 2, ADF, DME, MKR, AUX)
<i>Unswitched Inputs:</i>	4
<i>Transmitter Selections:</i>	6 (COM 1, COM 2, COM 3 Com1/2 COM 1/3, COM 2/3)
<i>Speaker Impedance:</i>	4 Ω
<i>Headphone Impedance:</i>	150 – 1000 Ω
<i>Headphone Output:</i>	38 mW each headset, no clipping <1% THD typical
<i>Microphone Impedance:</i>	150 - 600 Ω
<i>Bluetooth Radio (PMA8000C -0303 only)</i>	Class 3, FCC ID QOQWT32i
Intercom Specifications	
<i>Intercom Positions:</i>	6 places (with individual <i>IntelliVox</i> ® circuits) Up to 12 places with -0313 and 11636R expansion units
<i>Music Inputs:</i>	2, (Independent, Stereo)
<i>Music Muting:</i>	>-30 dB "Soft Mute" when COM or intercom active.
<i>Distortion:</i>	<1% THD @ 38 mW into 150 Ω
<i>Mic Freq. Response, 3 dB:</i>	300 Hz - 6000 Hz
<i>Music Freq. Response, 3 dB:</i>	10 Hz – 26 kHz
MARKER BEACON RECEIVER:	
<i>Frequency:</i>	75 MHz Crystal Controlled
<i>Sensitivity:</i> Low: High:	Capable of: (preset at factory for field application) 1000 μ Volts (Hard) (360 to 570 μ V soft) 200 μ Volts (Hard) (130 to 200 μ V soft)
<i>Selectivity:</i>	-6 dB at \pm 10 kHz -40 dB at \pm 120 kHz
<i>External Lamp Output:</i>	7.5 (\pm 4 VDC unloaded, at maximum brightness) VDC positive when active, max. current 125 mA
<i>MM Sense:</i>	Active high (4.5 \pm 1.0VDC)

1.6 EQUIPMENT SUPPLIED

1 ea. of the following units:

Model	Description	Part Number
PMA8000C	PMA8000C Audio Panel with Marker, Stereo Intercom, and Bluetooth connectivity, supporting three communications transceivers.	050-890-0303
PMA8000C	Same as -0303, but with expansion capability for 12 passengers.	050-890-0313

PMA8000C Installation Kit: 250-890-0500

Description	Quantity	Part Number
Installation rack assembly	1	430-890-0040
Rack back plate	1	430-890-0050
44-pin connector kit	2	120-891-2045
Back shell, bottom	2	625-025-1131
Back shell cover	2	625-025-1132
Strain Relief	4	425-149-1179
Zip Ties	2	800-000-0004
2-56 X 3/16 screw for connector shell	8	475-256-0516
4 40 X 7/16 screw w/nylon patch	4	475-440-0007
4 40 X 3/8 screw w/nylon patch	4	475-440-1038
4-40 x 1/4" screw with lock washer	2	475-440-0001
Solder Lug	2	475-009-0001
Cable Clamp	1	625-001-0002
#6-32 x 1/2" Flat head Philips screw	6	475-632-0012
#6-32 Clip Nut	6	475-630-0002

1.7 EQUIPMENT REQUIRED BUT NOT SUPPLIED

- a. Circuit Breaker: 1 ea.; 5 amp PULL TYPE REQUIRED for PMA8000C
- b. Speaker, 4 Ω
- c. Headphone Jacks (Stereo, as Required)
- d. Microphone Jacks (as Required)
- e. Headphones, 150 Ω (Stereo), up to 6 as required
- f. Microphones, up to 6 as required
- g. Marker Antenna (75 MHz, VSWR <1:1.5, and appropriate for the airspeed)
- h. Interconnect Wiring

1.8 LICENSE REQUIREMENTS

None

PMA8000C (050-890-0303, -0313) Bluetooth™ Radio approval:

- FCC ID: QQQWT32I
- Industry Canada ID: 5123A-BGTWT32I
- CE EMC Directive 89/336/EEC as amended by Directives 92/31/EEC and 93/68/EEC

Section II - INSTALLATION

2.1 GENERAL INFORMATION

2.1.1 SCOPE

This section provides detailed installation and interconnection instructions for the PS Engineering PMA8000C Audio Selector Panel/Intercom/ with internal Marker Beacon.

Please read this manual carefully before beginning any installation to prevent damage and post-installation problems. Installation of this equipment requires special tools, test equipment (refer to section 2.12.1) and knowledge as required by 14 CFR 65.81 (b).

2.1.2 Certification Requirements

NOTE

The PMA8000C requires specialized knowledge and tools for an effective installation. An appropriately rated Certified Aircraft Repair Station **must** install this equipment in accordance with applicable regulations. PS Engineering, Incorporated warranty is not valid unless the equipment is installed by an authorized PS Engineering, Incorporated dealer.

Failure to follow any of the installation instructions, or installation by a non-certified individual or agency will void the warranty, and may result in an **unairworthy** installation.

2.2 Unpacking and Preliminary Inspection

Use care when unpacking the equipment. Inspect the units and parts supplied for visible signs of shipping damage. Examine the unit for loose or broken buttons, bent knobs, etc. Verify the correct quantity of components supplied with the list in Section 1.6. If any claim is to be made, save the shipping material and contact the freight carrier. Do NOT return units damaged in shipping to PS Engineering. If the unit or accessories show any sign of external shipping damage, contact PS Engineering to arrange for a replacement. Under no circumstances attempt to install a damaged unit in an aircraft. Equipment returned to PS Engineering for any other reason should be shipped in the original PS Engineering packaging, or other UPS approved packaging.

2.3 Equipment Installation Procedures

2.3.1 Cooling Requirements

Forced air-cooling of the PMA8000C is not required. However, the units should be kept away from heat producing sources (i.e. defrost or heater ducts, dropping resistors, heat producing avionics) without adequate cooling air provided.

2.3.2 Mounting Requirements

The PMA8000C must be rigidly mounted to the instrument panel of the aircraft structure, within view and reach of the pilot position(s). Installation must comply with FAA Advisory Circular AC 43.13-2B, or other FAA-approved aircraft technical data. The unit may be mounted in any area where adequate clearance for the unit and associated wiring bundle exist.

To prevent noise, avoid installing the unit close to high current devices or systems with high-voltage pulse type outputs, such as DME or transponders. Avoid running the interconnecting bundles near any high current wires.

2.3.3 Audio Panel Mounting Rack Installation

Remove the unit from the mounting tray by unscrewing the 3/32" hex-head screw that is in the center of the unit. Use caution to avoid hitting the photo-detector lens. Carefully slide the unit free of the tray. Set the unit aside in a safe location until needed. Install the tray using six clip nuts (475-630-0002), and six FHP 6-32 x 1/2" screws (475-632-0012). The audio selector panel must be supported at front and rear of the mounting tray.

2.3.4 Audio Panel Tray and Connector Assembly

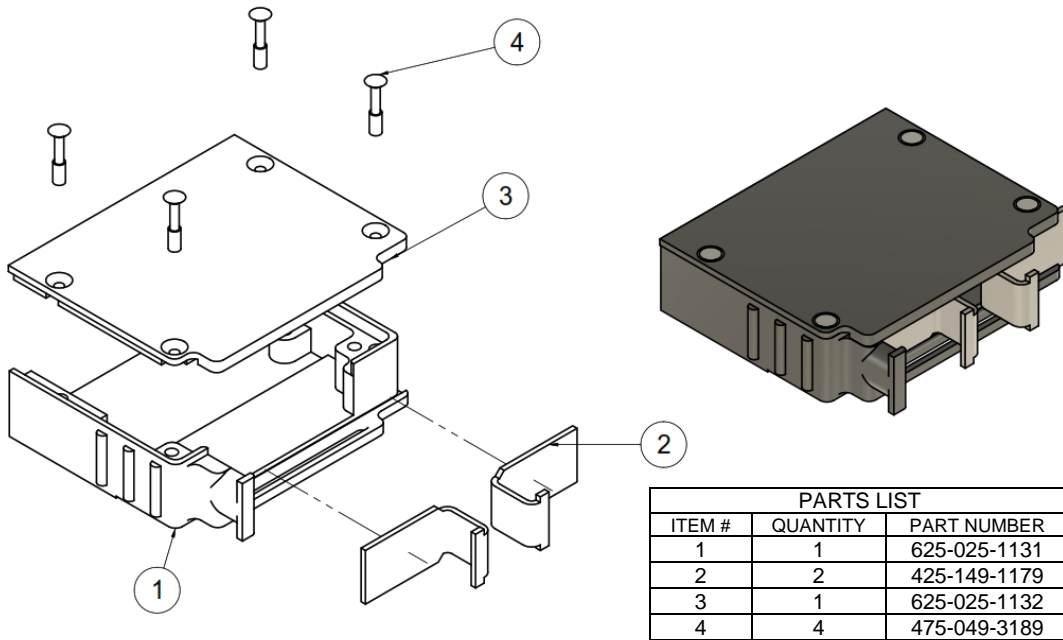
The rack connectors mate with two 44-pin connectors in the PMA8000C. The connectors are a sub-miniature crimp-type, and require the use a hand crimp tool, from table below (or equiv.).

Two grounding solder lugs (475-009-0001) are provided, which may be attached to the rear mounting plate with 2 ea. #4-40 x 1/4" screws (475-440-0001) with captivated lock washers. These provide a convenient location to connect the shield ground terminations.

Manufacturer	Crimping Tool	Positioner	Extraction tool
AMP	601966-1	601966-6	91067-1
Daniels	AFM8	K42	M24308-1
ITT-Cannon	995-0001-584	995-0001-739	91067-1

Table 2-1 Connector Pin crimping tools

Assemble the connector back shell by attaching the top and bottom using 4 ea. #2 x 56 Phillips screws (475-049-3189) and the two "J" strain relief sliders (425-149-1179) in the slot provided. Secure the cable bundle between the back shell and the sliders with Zip tie. The connectors are mounted to the tray back plate with #4-40 screws (475-440-1038), from the inside of the tray. Ensure that proper strain relief and chafing precautions are made during wiring and installation, using the cable clamp (625-001-0002).



Two grounding solder lugs (475-009-0001) are provided, which may be attached to the rear mounting plate with 2 ea. #4-40 x 1/4" screws (475-440-0001) with captivated lock washers. These provide a convenient location to connect the shield ground terminations.

2.4 Cable Harness Wiring

Referring to the appropriate Appendix, assemble a wiring harness as required for the installation. All wires must be MIL-SPEC in accordance with current regulations. Two- and three-conductor shielded wire must be used where indicated and be MIL-C-27500 or equivalent specification. Proper stripping, shielding and soldering technique must be used at all times. It is imperative that correct wire be used.

Refer to FAA Advisory Circular 43.13-2B for more information. Failure to use correct techniques may result in improper operation, electrical noise or unit failure. Damage caused by improper installation will void the PS Engineering warranty.

2.4.1 Electrical Noise

Due to the variety and the high power of radio equipment often found in today's general aviation aircraft, there is a potential for both radiated and conducted noise interference.

The PMA8000C power supply is specifically designed to reduce conducted electrical noise on the aircraft power bus by at least 50dB. Although this is a large amount of attenuation, it may not eliminate all noise, particularly if the amplitude of noise is very high. There must be at least 13.8 VDC present at the connector, J2 pins 8 & 9, of the PMA8000C for the power supply to work in its designed regulation. Otherwise, it cannot adequately attenuate power line noise. Shielding can reduce or prevent radiated noise (i.e., beacon, electric gyros, switching power supplies, etc.) However, installation combinations can occur where interference is possible. The PMA8000C was designed in a RFI hardened chassis and has internal Electromagnetic Interference (EMI) filters on all inputs and outputs.

Ground loop noise occurs when there are two or more ground paths for the same signal (i.e., airframe and ground return wire). Large cyclic loads such as strobes, inverters, etc., can inject noise signals onto the airframe that are detected by the audio system. Follow the wiring diagram very carefully to help ensure a minimum of ground loop potential. Use only Mil Spec shielded wires (MIL-C-275000, or better). Under no circumstances combine a microphone and headphone wiring into the same shielded bundle. Always use a 2- or 3-conductor, shield wire as shown on the installation-wiring diagram.

The shields can be daisy-chained together, and then connected to the ground lugs mounted on the back plate shown in Appendix B.

Radiated signals can be a factor when low level microphone signals are "bundled" with current carrying power wires. Keep these cables physically separated. It is very important that you use insulated washers to isolate the ground return path from the airframe to **all** headphone and microphone jacks.

2.4.1.1 Music Inputs and Noise

PMA8000C units utilize a differential input to help prevent noise from entering the music system. This feature is usually transparent to the installer; however, it is important that the appropriate music signal and ground connections are made directly to the dedicated music signal and ground inputs on the PMA8000C. The power for IFE and audio panel should be a common bus.

If a music jack instead of a music source is installed for Music 1 or 2, we recommend grounding the jack to airframe ground.

NOTE

Adding a high-performance audio control system, particularly in conjunction with high-performance active noise canceling headsets, cannot improve on older avionics that were designed for cabin-speaker use. PS Engineering makes no claim that the audio panel will provide a noise-free audio quality under all installation conditions, particularly with older avionics.

2.4.2 Existing GMA340 Installation

If the installation replaces a GMA340, no changes are necessary as long as the existing installation meets the requirements. All existing functions of the GMA340 as well as all of the new capabilities afforded by the PMA8000C will become instantly available. The PMA8000C does support 3 VHF COMs, or 2 VHF COMs and HF radio, or other transceiver configuration.

Added capabilities include, IntelliVox®, DuTel™ duplex telephone, improved music fidelity and Soft Mute™ and Karaoke™ muting modes, improved and more flexible music distribution control, internal recorder function, and additional unswitched audio inputs.

2.4.3 Power

The PMA8000C is compatible with both 14 and 28 Volt DC systems. A five (5) Amp circuit breaker is required for all installations. Power and ground wires should be #22 connected to J2 Pins 8 and 9. Connect airframe ground to J2 Pin 10 and 11 only.

2.4.4 Communications Push-to-Talk

An important part of the installation is the PTT (Push-To-Talk) switches that allow the use of your aircraft communications radio for transmissions. There are three typical configurations that can be used. Select the case that best fits the installation. Only the person who presses their PTT switch will be heard over the radio. If the pilot and copilot both use the PTT, the only pilot position has access to the radio. The pilot position will have PTT control regardless of the mic selector switch or copilot PTT when the PMA8000C is in the OFF/EMG mode.

CASE I: PTT is built into both pilot and copilot yokes.

CASE II: PTT is in pilot yoke only. This configuration requires a modified external PTT switch plugged into the copilot's microphone jack. (See Appendix A). When the copilot's PTT is pressed, the intercom switches the microphone audio from pilot to copilot mic.

CASE III: No built in PTT. This requires two built in PTTs to be installed, or modified external PTT switches to be used. Modify external PTT as required. See Appendix A.

2.4.5 Audio Panel interface

The PMA8000C is designed to interface with standard aircraft avionics with 510 Ω receiver impedance. For best results, a twisted-shielded cable is recommended from the avionics audio source to the audio panel, with the shield grounded at the audio panel end.

Some avionics do not provide a separate audio low, and may introduce additional electrical noise into the system. For best results, connect the audio low from the audio panel to the radio ground, using one conductor of the twisted-shielded cable.

2.4.5.1 Speaker Load

The PMA8000C contains one speaker amplifier. Some units with internal speaker amplifiers, such as the King Radio KX170-series, require a resistive load to prevent damage if their speaker amplifier is not used. Connect the speaker output from the unit to the COM 2 Speaker load input on the PMA8000C (J1 27 WRT 28). The speaker load is 16 Ω , 3W. Only one speaker per load is available in the PMA8000C.

2.4.6 Transmit Interlock

Some communications transceivers use a transmit-interlock system. To fully utilize the Split Mode feature, this function must be disabled. Consult that manufacturer's installation manual.

2.4.7 Backlighting

The PMA8000C has an automatic dimming of the pushbutton annunciation LEDs and marker lamps controlled by a photocell. Control of the unit backlighting is through the aircraft avionics dimmer. For 14 V aircraft, connect J2 Pins 6 and 7 to the aircraft dimmer bus, and pin 5 to ground. For 28-volt systems, connect pin 7 to the aircraft dimmer, and pins 5 and 6 to ground.

If an external dimmer control is **not** used, a constant back light illumination can be established for nighttime viewing. Pin 6 or 7 (depending on system voltage) must be tied to power (J2, pin 8 or 9) for the back lighting system to work.

If no connection to the dimmer is made, or the dimmer voltage is < .5 VDC, the white text backlighting will be at a minimum level.

The photocell mounted in the unit face will automatically adjust the intensity of the green push-button annunciator LEDs.

2.4.8 Unswitched inputs

J1, pins 31, 29 and J2 pin 15 are unswitched, unmuted (by transmitter keying), inputs # 1, 3 and 4, respectively. These inputs are presented to the pilot and copilot regardless of the audio configuration, and will always mute the entertainment inputs. These 510 Ω inputs can be used for altimeter DH audio, GPS waypoint audio, autopilot disconnect tones, or any other critical audio signal. Unswitched #1 is always presented to the

PS Engineering
PMA8000C Audio Selector Panel and Intercom System
Installation and Operator's Manual

speaker, plus to the crew headphones, and is available to the pilot in fail-safe (off) mode, in the right ear. Unswitched 3 and 4 inputs are always presented to the crew headphones and over the aircraft speaker.

Unswitched Input	Hear in Fail Safe	Hear in Crew Headset	SPR button Select	Gain
1	Yes	Yes	No	1:1(fixed)
2	No	Yes	Yes	1:1(fixed)
3	No	Yes	No	Adjustable
4	No	Yes	No	1:1(fixed)

Table 2-2 Unswitched input table

Unswitched #2, J1 pin 44 is unswitched is always connected to the Pilot's headphone. However, this unswitched audio is only presented to the aircraft speaker when the SPR push button has been selected.

The audio low for unswitched #4 (J2, pin 15) should be connected to a convenient audio low. However, this should NOT be connected to Music Low.

Unswitched #1 is presented to the pilot headphone in fail-safe (off) mode. In serial number DC1186 and above, Unswitched #1 is in the right ear.

NOTE

Inputs 1, 2 and 4 are fixed (1:1), and any audio level adjustments must be made at the input source. Unswitched #3 has a variable adjustment control located on the bottom side of the unit. This control allows you to adjust the volume level of that unswitched input. Refer to Adjustments section.

2.4.9 "Swap" Mode

When a momentary, normally open, push-button switch is connected between pin 20 on the J2 connector and aircraft ground, the user can switch between COM 1, COM 2 and COM 3 by pressing this switch without having to change the transmit selector on the audio panel. This yoke-mounted switch eliminates the need to remove your hands from the yoke to change transceivers. The transfer of TX indication from COM 1 to COM 2 and COM 3 shows that the swap has been initiated.

Swap selection of COM 3 (COM 1, COM 2, COM 3, or COM 1 and COM 2 only) is a user-selectable option. Holding the remote "swap" button, press and release the COM 3 RCV button to enable or disable the COM 3 in the swap rotation.

2.4.10 Bluetooth Telephone Function

The PMA8000C is compatible with most Bluetooth® enabled devices for making and receiving telephone calls through the aircraft audio system.

2.4.10.1 Cell phone Sidetone

As shipped from PS Engineering, the PMA8000C does provide cellular telephone sidetone (the user's voice fed back to the headset). Some cell phones do provide sidetone. In PMA8000C audio panels, Telephone sidetone can be disabled by pressing the COM 3 and ADF buttons for more than one second.

NOTE

Unauthorized use of unapproved cellular telephone devices in aircraft is subject to FCC enforcement action, which may include a \$10,000 fine per incident.
FCC Regulation 47 CFR § 22.925 *Prohibition on airborne operation of cellular telephones.*
Cellular telephones installed in or carried aboard airplanes, balloons or any other type of aircraft must not be operated while such aircraft are airborne (not touching the ground). When any aircraft leaves the ground, all cellular telephones on board that aircraft must be turned off.
PS Engineering, Inc. does not endorse using unapproved cellular telephone equipment in flight, and takes no responsibility for the user's action.
PS Engineering does not guarantee compatibility with personal cellular telephones. For a list of phones that have been tested, visit <http://www.ps-engineering.com/support>.

2.4.11 Public Address Mode

By pressing the Mute and SPR pushbuttons at the same time, the PMA8000C will be placed into public address (PA) mode. In this mode, the pilot will be talking over the cockpit speaker when he presses his PTT switch. Copilot will still continue on the selected COM radio.

When the discrete Output is enabled, J2 Pin 19 will go low when in PA mode, providing a logic level that can be used to incorporate a speaker-switching scheme. This 50 mA circuit (10Ω Z) can control a switching means such as a relay that would transfer the speaker output amplifier from the cockpit speaker to drive another cabin speaker. If the PA mode is used with a microphone in proximity to an active cockpit speaker, feedback might result.

To *enable* the PA discrete Output located at the rear connector, the internal configuration DIP switch, J10, will need to be switched on. [See §2.7.1](#) This switch is shipped as OFF from the factory.

2.4.12 PA Mute (J2, Pin 12)

Pin 12 of J2 is a TTL logic *output* that is pulled low during PTT operation.

2.4.13 Miscellaneous Logic Output (J2, Pin 18)

Pin 18 of the J2 connector is pulled to ground whenever the AUX button is depressed. This serves as a control line for external devices, such as an entertainment system that the pilot wishes to control.

NOTE

J2, Pin 18 should NOT be used if the AUX is going to be used to switch DME or auxiliary audio.

2.4.14 Marker High Sensitivity (J2 Pin 13)

The PMA8000C defaults to LOW marker sensitivity of 1000μVolts. If High marker beacon sensitivity is desired, J2 Pin 13 can be connected to ground (or J2 pin 14), through a switch, to set the marker beacon sensitivity to 200 μVolts.

2.5 Intercom wiring

See Appendix C and D for intercom connection configurations. It is critical to the proper operation of this system to have this connector wiring made in accordance with these diagrams. Use 2- and 3-conductor, MIL-spec cable as shown. Connect the shields at the audio panel end only, and tie to the audio low inputs as shown.

2.5.1 Entertainment Inputs

The PMA8000C has one music inputs, Entertainment input number 1 is J2 pins 23 (left channel) and 24 (right channel), with respect to pin 25, and Entertainment number 2 is connected to 26 (left channel), 27 (right channel), with respect to 28.

PMA8000C (050-890-0303) has wireless connectivity to stream music from a paired Bluetooth device. This stream is distributed as Music 1. Refer to [§3.11.3](#) for more information.

NOTE

Use the low-level output of any additional entertainment device to connect to the audio panel. Maximum signal level is **3 VAC** p-p. **DO NOT** use a speaker-level output, this will cause internal damage in the audio panel.

2.5.2 Entertainment muting

The PMA8000C-system incorporates a four-mode "Soft Mute™" system. This will mute the entertainment devices during ICS and/or radio conversation. See [Section 3.8](#) for more information.

Press the **Mute** switch to activate the four Karaoke modes (disabling crew SoftMute™). Turning down the entertainment volume allows the pilot to place the entertainment into the background while having the radios in the foreground and eliminates the constant interruption of the music while still keeping the radios a priority.

CAUTION

Local oscillators and internal signals from entertainment equipment can cause undesired interference with other aircraft systems. Before takeoff, operate the entertainment devices to determine if there is any adverse effect within the aircraft systems. If any unusual operation is noted in flight, immediately switch off the entertainment devices.

All additional entertainment devices must be switched off for both takeoff and landing.

2.5.2.1 Entertainment 2 Mute

Pressing the AUX & MUTE for more than 1 second will activate the Karaoke mode for the Music #2, passengers' music.

2.5.3 Configuring Music Input with Function Keys

The music inputs can be configured by the user from the front panel (see [Section 3.10.3](#)). There are three configurations available, independent (standard music distribution), ICS mode dependent (alternate music distribution), and single input (music #1 to all stations).

If the inputs are independent, Input #1 is provided to the pilot and copilot. Muting (SoftMute™) is controlled by the front panel "mute" button. Music 2 is provided to the passengers at all times, with muting controlled by an external switch (see § 2.5.2.1).

If the inputs are intercom mode dependent, input 1 goes to the pilot, copilot, and all passengers when the intercom is in the "ALL" mode. In "ISO" mode, the copilot and passengers will hear music input 1. Music 2 is ONLY active in CREW mode, and then provided only to the passengers. The externally switched passenger SoftMute™ control becomes active in CREW.

If the single-source mode is activated through the function keys, music 1 is connected to all intercom positions, regardless of the intercom mode. Crew muting is controlled by the front panel, passenger muting controlled through the switch. See section 3.11 for more details.

2.5.3.1 Annunciation and recorder playback

As delivered from PS Engineering., both the pilot and copilot can hear the Function Key annunciations. If the customer wants to exclude playback and function key annunciation playback from the copilot position, please contact PS Engineering for more information.

2.5.4 Playback Button Installation

Internal Recorder can be played back from the front panel. A remote momentary, normally open (NO) push button switch may be installed if desired to remotely activate the Recording System playback. This switch can be located anywhere in cockpit convenient to the pilot's reach. The NO switch should be connected to pin 22 of J2 of the PMA8000C, and ground. When installed, this button will act as in § 3.12.

2.5.5 Passenger Intercom Expansion (050-890-0313 only)

The PMA8000C (-0313) can support up to two, six-place intercom expansion units (PS Part Number 11636R), for up to 12 passengers.

In the installation with expansion, the passengers can speak to each other at all times, and the intercom mode control allows for intercom communications with the copilot or both crew members. Operation is identical to the standard PMA8000C.

2.6 Marker Beacon Installation

2.6.1 Marker Antenna Installation

A marker beacon antenna, appropriate to the type and speed of the aircraft, is required (not included). Refer to aircraft and antenna manufacturer's installation instructions, as well as AC43.13-2B (or later revision), Chapter 3, for information on proper antenna installation techniques. The marker beacon antenna must be mounted on the bottom of the aircraft.

2.6.2 External Marker Lights

For installations that require external marker beacon lights, there are three outputs that can drive 12-Volt lamps only. The external output lamps are driven high (typically +7.0 VDC \pm 4.0 VDC unloaded, at MAX brightness) when active. Maximum source current per lamp is 125mA. Voltage varies with photocell dimming.

2.6.3 Middle Marker Sense

A Middle Marker Sense output signal is available from the PMA8000C to certain flight control systems. This function will not operate during the test mode. This output will go to +4.5 VDC (\pm 1.0 VDC) when a valid Middle Marker signal is received. This output is J1, pin 39.

2.7 Adjustments

The PMA8000C is factory adjusted to accommodate the typical requirements for most aircraft configurations. There are three adjustments in the top cover that allow the installer to tailor the specific functions.

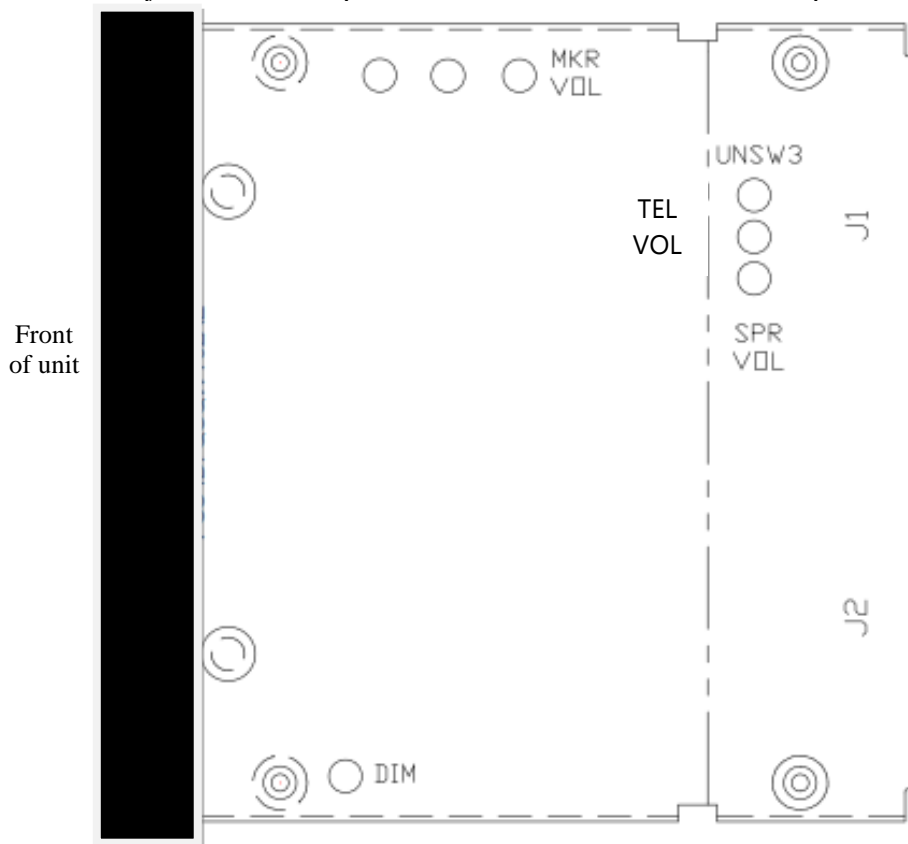


Figure 2-1- PMA8000C Adjustments, top cover

- Speaker Volume [SPR VOL] – Turn adjustment clockwise to increase cabin speaker output.
- Marker Beacon Volume [MKR VOL] –, turn adjustment counterclockwise to increase marker beacon audio level.
- Telephone Volume [TEL VOL] – Function Mode Annunciation Volume – controls the level of the voice annunciations contained in the unit.
- Unswitched Input 3 Volume [UNSW 3] – adjust from 50% to 200% of input value.
- Dimmer [DIM] – Adjusts the brightness of the white text backlighting.

2.7.1 Installation Function Selection

There are certain functions that can be activated at installation.

- Public Address Trigger activation (See [§2.4.11](#))
- Artificial sidetone activation (audio panel provides sidetone when radios do not),

Top access the DIP switches, a removable sticker is removed from the bottom of the unit.

1. Remove the sticker from the bottom of the unit and retain for reuse.

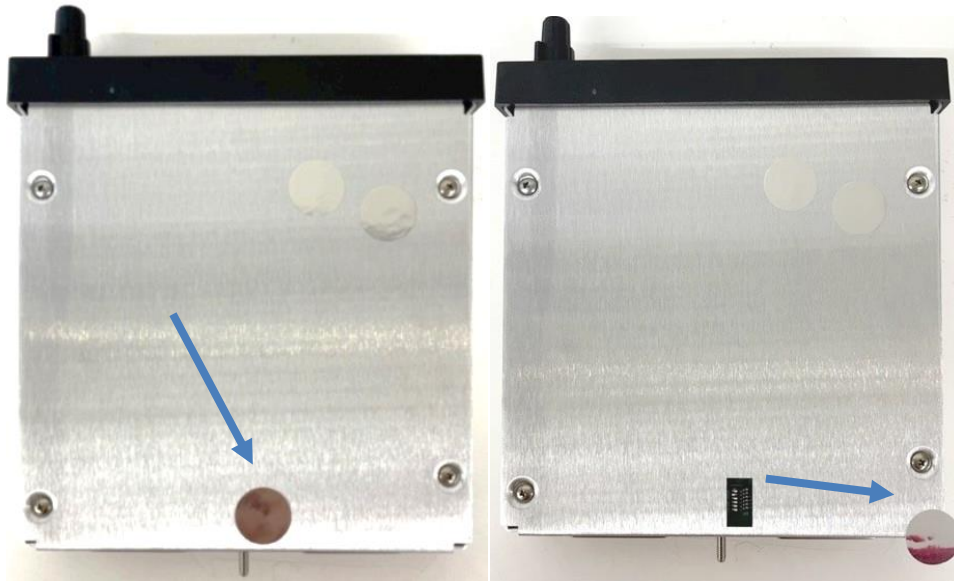


Figure 2-2 – DIP Switch location (bottom cover sticker removed)

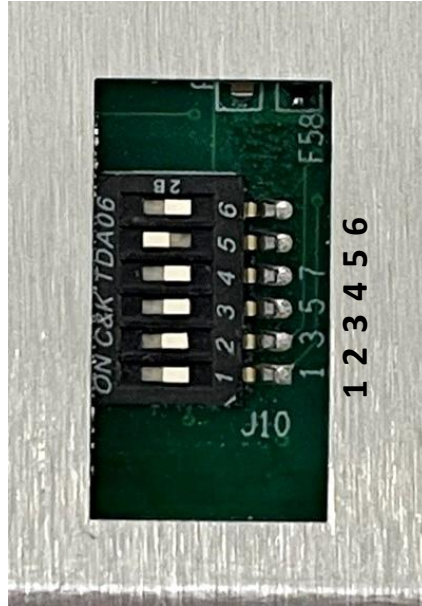


Figure 2-3 - J10 DIP Switches

- 1- Not used
- 2- PA Trigger Active switch to ON
- 3- Not used
- 4- Not used
- 5- Artificial Sidetone switch to OFF
- 6- Not used

Replace the sticker after making the changes.

2.8 Communications Antenna Installation Notes

For best results while in Split Mode, it is recommended that the one VHF communications antenna is located on top of the aircraft while the other communications antenna is installed on the bottom. Any antenna relocation must be accomplished in accordance with AC 43.13-2B, aircraft manufacturers' recommendations and FAA-approved technical data.

WARNING

It is probable that radio interference will occur in the split mode when the frequencies of the two aircraft radios are adjacent, and/or the antennas are physically close together. **PS Engineering makes no expressed or implied warranties regarding the suitability of the PMA8000C in Split Mode.**

2.9 PMA8000C Pin assignments

J1	Function	J2	Function
1	Mkr Ant	1	Pilot Phones Lo
2	Mkr Ant Lo	2	Copilot Phones Lo
3	Com 3 Audio Hi	3	Copilot Phones (L)
4	COM 3 Audio Lo	4	Copilot Phones (R)
5	COM 3 Mic Audio Hi	5	Lights Lo
6	COM 3 Mic Key	6	14/28 V Lights Hi/Lo
7	ADF Audio Hi	7	14/28 V Lights Hi
8	ADF Audio Lo	8	Aircraft Power 11-33 VDC
9	COM 1 Audio	9	Aircraft Power 11-33 VDC
10	COM 1 Audio Lo	10	Aircraft Ground
11	COM 1 Mic Audio Hi	11	Aircraft Ground
12	COM 1 Mic Key	12	PA Mute
13	COM 2 Audio Hi	13	MKR HI Sense
14	COM 2 Audio Lo	14	MKR HI Sense Lo
15	COM 2 Mic Audio Hi	15	Unswitched #4 Hi
16	No Connect	16	Pilot Phones (L)
17	NAV 1 Audio Hi	17	No connect
18	NAV 1 Audio Lo	18	Misc (AUX) logic output
19	NAV 2 Audio Hi	19	PA Enable Output
20	NAV 2 Audio Lo	20	Swap
21	DME Audio Hi	21	Swap Lo
22	DME Audio Lo	22	IRS Playback
23	Auxiliary Audio Hi	23	Music 1 (L)
24	No Connect	24	Music 1 (R)
25	No Connect	25	Music 1 Lo
26	No Connect	26	Music 2 (L)
27	Speaker Load	27	Music 2 (R)
28	Speaker Load	28	Music 2 Lo
29	Unswitched Audio 3 Hi	29	No Connect
30	COM 2 Mic Key	30	No Connect
31	Unswitched # 1 Hi	31	Pilot Phones (R)
32	Unswitched #1 Lo	32	Copilot Mic Audio
33	Pilot Mic Audio Hi	33	Copilot Mic PTT
34	Pilot Mic PTT	34	Copilot Mic Low
35	Pilot Mic Low	35	Pass 1 Mic/EXP Audio
36	Ext IM MKR White	36	Pass 1 Mic /EXP Audio Lo
37	Ext OM MKR Blue	37	Pass 2 Mic/ EXP Audio
38	Ext MM MKR Orange	38	Pass 2 Mic /EXP Audio Lo
39	MM Sense	39	Pass 3 Mic Audio/EXP PWR
40	Pass HP (L) EXP Out	40	Pass 3 Mic Audio Lo
41	Pass HP (R) EXP Out	41	Pass 4 Mic Audio/EXP PWR
42	Pass HP Lo	42	Pass 4 Mic Audio Lo
43	Unswitched #2 Lo	43	Speaker Lo
44	Unswitched #2 Hi	44	Speaker Output

2.10 Wiring Checkout

After wiring is complete, verify power is ONLY on pins 8 and 9 of the J2 and aircraft ground on connector pins 10 and 11. Failure to do so will cause serious internal damage and void PS Engineering's warranty.

2.11 Unit Installation

To install the PMA8000C, gently slide the unit into the mounting rack until the hold-down screw is engaged. While applying gentle pressure to the face of the unit, tighten the 3/32" hex-head in the center of the unit until it is secure. DO NOT OVER TIGHTEN.

CAUTION

Apply steady pressure to the bezel while screwing the unit into the tray to ensure even seating of the unit and connectors. **WARNING** Do not over-tighten the lock down screw while installing the unit in tray. **Internal damage will result.**

2.12 Operational Checkout

2.12.1 Required Test Equipment

In order to return an aircraft to service after installation of the PMA8000C, the installer must have access to a Marker Beacon signal generator:

- a. IFR NAV401L, NAV402AP, IFR4000
- b. TIC T-30D, T-36C

Equivalent test equipment is acceptable as long as the testing requirements can be met.

2.12.2 Audio Panel Test

NOTE

The *IntelliVox*® is designed for ambient noise levels of 80 dB or above. Therefore some clipping may occur in a quiet cabin, such as without the engine running, in a hangar. This is normal.

1. Apply power to the aircraft and avionics.
2. Plug headsets into the pilot, copilot, and occupied passenger positions.
3. Verify fail-safe operation by receiving and transmitting on com 1 from the pilot position, with the audio panel power off. The COM audio will be present in one ear cup only, In serial number DC1186 and above, COM 1 is present in the left ear, and Unswitched #1 is in the right ear.
4. Switch on the unit by pressing the volume (VOL) knob.
5. Check intercom operation.
6. Push the COM 1 Xmt select button (lower row).
7. Verify that both of the **COM 1** buttons light. Verify that transmit button LED (Light Emitting Diode) near the mic selector is not blinking. If the LED is blinking, stop testing and troubleshoot the microphone PTT installation.
8. Verify proper transmit and receive operation from the copilot position, noting that the copilot PTT switch allows proper transmission on the selected transceiver. Verify that the COM 1 Xmt button blinks when transmitting.
9. Verify that pushing the **COM 2** button causes the button to illuminate, and the COM 2 receiver to be heard. Verify operation on COM 1 from the pilot position.
10. Repeat for COM 2
11. Repeat for COM 3
12. Press and hold the COM 1 Xmt button. While holding the COM 1 button, press the COM 2 Xmt button. This places the unit in "split Mode;" Verify that the pilot can transmit and receive on COM 1, while the copilot transmits and receives on COM 2.
13. Verify proper operation of all receiver sources by selecting them using the appropriate button. The button illuminates to show which source is in use.
14. Push the SPR button. Verify that all selected audio is heard in the cockpit speaker. Verify that the audio mutes when the mic is keyed.

15. Verify that the appropriate LED in the lower button row blinks when either push to talk is keyed.
16. Verify proper Intercom system operation in the **ALL**, **ISO** and **CREW** modes (see §3.7.3).
17. Verify that the audio selector panel system does not adversely affect any other aircraft system by systematically switching the unit on and off, while monitoring the other avionics and electrical equipment on the aircraft.

2.12.3 Marker Checkout

1. Connect a ramp generator at the antenna end of the marker coax. With the unit under test in HI sensitivity, verify that a 160 μ V, modulated 95% with 1300 Hz, signal will illuminate the amber (M) marker light, and that marker audio is present in the headphones when the Marker Audio (MKR) push-button has been depressed. Select SPR for speaker to verify marker audio availability on the cabin speaker. Verify that the white (I) and blue (O) lights will illuminate within \pm 3dB of the amber lamp, with 3000 HZ and 400 Hz applied, respectively.
2. Repeat with the unit in LOW sensitivity, with 430 μ Volts applied.
3. Connect the marker antenna and verify proper operation.

2.12.4 Bluetooth Telephone Checkout

Verify that the PMA8000C will “pair” with a Bluetooth device, and interface with cellular phone and Music source. See section 3.11 for more information. Verify that the pilot headset is connected to the cellular telephone system (if installed). Verify that by using the pilot side PTT, the pilot can transmit on the other selected radio (COM 1, COM 2 or COM 3). The telephone function will allow any person heard by the pilot on the intercom, also heard on the telephone.

2.12.5 Internal Recorder Checkout

With headset plugged into pilot’s side jacks, tune COM 1 to local frequency, such as FSS or ATC ground. Select COM 1 on mic selector switch, and record several incoming radio transmissions.

Press the COM receiver pushbutton that corresponds to the selected radio transmitter and *hold* for approximately one second. This action will then automatically play back the last recorded message. Press and HOLD the button again to stop the play back, and then momentarily press again to play prior messages.

This audio should appear in the pilot and copilot headsets, and only be incoming transmissions from the transceiver selected in the mic select switch. Depress the audio panel or yoke mounted playback switch, and verify that messages play, in the order received. Repeat for COM 2 and COM 3. The playback will be stopped by audio on the selected com. The message can be replayed from the beginning, and audio received during the playback will not be stored.

2.12.6 Function Button Checkout

While listening to the pilot’s headset, press and hold the particular button with a second function and listen for the correct spoken text:

Button	Announcement 1	Announcement 2	Announcement 3
COM 3 XMT	Alternate Intercom Function	Standard Intercom Function	
AUX	Monitor On	Monitor Off	
MUTE	Music one all headsets	Alternate Music Distribution	Standard Music Distribution
SPR	Chime, music increases	Chime, music decreases	

See operation section for information. Incoming audio on selected com will stop the audio.

2.12.6.1 Configuration announcement

Holding down the Com3 & AUX will activate the last configuration annunciation mode, so when you cycle power, it will tell you what configuration the PMA8000C is in. To disable this feature hold down Com3 & AUX for one second after power up.

2.13 Final Inspection

Verify that the wiring is bundled away from all controls and no part of the installation interferes with aircraft control operation. Move all controls through their full range while examining the installation to see that no mechanical interference exists. Verify that the cables are secured to the aircraft structure in accordance with good practices, with adequate strain relief. Ensure that there are no kinks or sharp bends in the cables and coaxial cables. Verify that the cables are not exposed to any sharp edges or rough surfaces, and that all contact points are protected from abrasion.

Complete documentation that may be required, such as a logbook entry, weight and balance computation and FAA Form 337. Sample text for FAA Form 337, and instructions for continuing airworthiness can be found in Appendix F. Return completed warranty registration application to PS Engineering, or complete online at www.ps-engineering.com.

Section III OPERATION

3.1 SCOPE

This section provides detailed operating instructions for the PS Engineering PMA8000C, Audio Selector Panel/Marker Beacon Receiver/Intercom Systems. Please read it carefully before using the equipment so that you can take full advantage of its capabilities.

This section is divided into sections covering the basic operating areas of the PMA8000C systems. They are Communications Transceiver Selection, Audio Selector, Intercom, Marker Beacon Receiver, and special functions, including the Bluetooth® functionality in the PMA8000C.

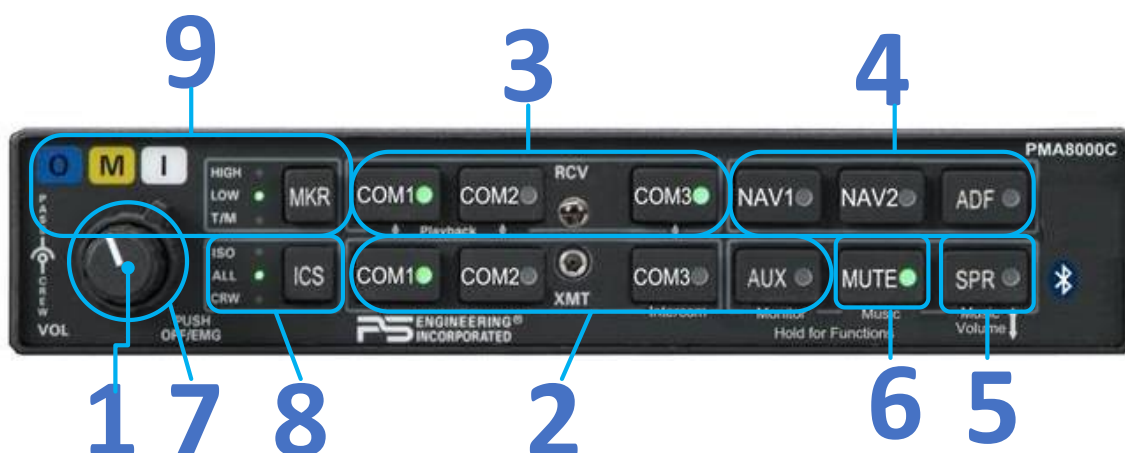


Figure 3-1 PMA8000C Operating Controls

Unit power is turned on and off by pushing the volume knob. In the OFF or "EMG" position, the pilot headset is connected directly to COM 1 as well as unswitched input #1. In serial number DC1186 and above, COM 1 is present in the left ear, and Unswitched #1 is in the right ear. This allows communication capability regardless of unit condition. Any time power is removed or turned OFF, the audio selector will revert to fail-safe mode.

The power switch controls all audio selector panel functions, intercom and marker beacon receiver. All pushbutton selections will be remembered and return to the last state when turned on.

3.2 Communications Transmit (XMT) Selection (2)

There are three pushbuttons associated with the transmitter selection. The three lower buttons (# 2) control which transceiver is selected for transmit. The top row of pushbuttons (# 3) allows selection of the receiver audio. Push the lower button to select the desired COM transmitter.

The PMA8000B-Series has an automatic selector system. Audio from the selected transceiver is automatically heard in the headsets and speaker (if selected). You can check this function by switching from COM 1 transmitter to COM 2 or COM 3 transmitter by pressing the transmitter selector pushbutton. See that the associated COM 2 or 3 receive pushbutton indicator light that is located immediately in the transmitter pushbutton turns green. This guarantees that the pilot will *always* hear the audio from the transceiver selected for transmit.

The PMA8000C "remembers" the receiver selection, so that when switching transmitters from COM 1 to COM 2, if COM 2 or COM 3 audio was previously selected, COM 1 audio will continue to be heard. This eliminates the pilot having to switch COM 1 audio back on, after changing transmitters.

When switching from COM 1 to COM 2 or COM 3 while that COM was not previously selected, COM 1 audio will be switched off. In essence, switching the mic selector will not override prior selection of COM receiver audio.

In normal (not split) modes, the PMA8000C gives priority to the pilot's radio Push-To-Talk (PTT). If the copilot is transmitting, and the pilot presses his PTT, the pilot's microphone will be heard over the selected com transmitter.

3.2.1.1 Split Mode

The split mode can be activated at any time by pressing the **COM 1** and **COM 2 OR COM 3 XMT** buttons at the same time. This places the pilot on COM 1 and the Copilot on COM 2 or COM 3. If COM 2 and COM 3 XMT buttons are pushed, the pilot will be on COM 2, and the Copilot will be on COM 3.

Pilot on COM 2 or COM 3, and Copilot on COM 1 is not possible.

NOTE

Due to the nature of VHF communications signals, and the size constraints in general aviation aircraft, it is probable that there will be some bleed-over in the Split mode, particularly on adjacent frequencies. PS Engineering makes no warranty about the suitability of Split Mode in all aircraft conditions.

When the split mode is activated, the intercom between the pilot and copilot is inhibited, although the passengers can still talk among themselves. The crew intercom can be reactivated if desired by pressing the "Mute" button. The indicator LED in the Mute button will be green when the intercom is off (muted), and turn off to indicate that the intercom is not muted, and the crew can speak to each other, but not with the passengers.

3.2.1.2 Swap Mode (Switch from COM 1 to COM 2 or COM 3 remotely)

With a yoke mounted, normally open momentary switch, the pilot can change from the current COM transceiver to the other by depressing this switch. To cancel "Swap Mode," the pilot may either press the yoke mounted switch again, or select a different COM with the XMT buttons.

The PMA8000C can be configured by the user to either Swap COM 1/COM 2, or COM 1/COM 2/COM 3. To change this function, press and hold the swap switch, and push and release the COM 3 RCV button momentarily. This feature is remembered when the unit is off.

3.2.1.3 Monitor Mode

The PMA8000C is equipped with a Monitor function, which allows a secondary com radio audio to be muted by the primary radio (selected for transmit). See [§3.10.2](#) for more information. This function is not stored when the unit is turned off.

3.2.1.4 Stuck Microphone Protection (Units with serial number CC1026 and above)

The PMA8000C will sense if the pilot or copilot radio PTT remains keyed for more than 32 seconds. When a stuck mic is detected, the key input is ignored, and the other crewmember can transmit normally. If the stuck becomes ungrounded, normal operation is restored.

3.3 Audio Selector (4)

Communication audio from the other radio, not selected for transmit, can be heard by pressing the associated RCV button. You will always hear the audio from the selected transceiver.

Navigation receiver audio is selected through five momentary, push-button, backlit switches.

The users can identify which receivers are selected by noting which green switch LEDs are lit. Navigation aid audio push buttons are labeled **NAV 1**, **NAV 2**, **ADF** and **AUX** (auxiliary). DME audio (if present) will come through when the **AUX** button is selected. When one of these buttons is pressed, the mode is active, and the LED will illuminate. Press the switch again and it will be "off" and remove that receiver from the audio output.

Marker Audio (**MKR**) can be selected by pressing the MKR button for more than one second. (9) The AUD LED will turn on when Marker Audio is selected.

In SPLIT mode, only the pilot will hear selected navigation audio.

3.4 Bluetooth® Telephone

The Bluetooth telephone feature serves as a full duplex interface and distribution for Bluetooth enabled telephone.

This connects the telephone to the users as follows:

In **ALL** intercom mode, all crew and passengers will be heard on the phone when they speak. COM and other selected radio audio is also heard in the headsets. If the pilot or copilot pushes the radio PTT, their mic will be transferred to the selected COM radio. The telephone party will not hear ATC communications, and vice versa.

In **CREW** mode, only the pilot and copilot are connected to the telephone. Passengers will not hear the telephone. The pilot and copilot will also have transmit capability on the other selected transceiver.

In **ISO** intercom mode, when the PMA8000C is in the **Bluetooth telephone** mode, the *pilot position* is in the "Phone Booth." Only the pilot will hear the telephone, and only he will be heard. He will also have access to COM 1 or 2, and will transmit on that radio using the PTT. All selected audio is provided to the pilot.

There is no provision to have just the copilot or on the phone. If the PMA8000C is in **SPLIT** Com mode, just the passengers will be connected to the phone.

NOTE

Because the cell-phone uses an intercom circuit, all stations on that circuit will lose intercom capability when the cell phone is in use.

3.4.1 Cell phone Sidetone

As shipped from PS Engineering, the PMA8000C will provide cellular telephone sidetone (the user's voice fed back to the headset). Some cell phones do provide sidetone. In PMA8000C audio panels, Telephone sidetone can be enabled/disabled by pressing the COM 3 and ADF buttons for more than one second.

3.5 Speaker Amplifier (5)

The **SPR** in the lower right section stands for speaker. This switch will place all selected audio on the cockpit speaker when this switch is selected. Except for the unswitched audio, the speaker amplifier is not active in the "Split Mode".

Unswitched audio, (the inputs dedicated to autopilot disconnect, altimeter warning, etc.) will come through the speaker regardless of the speaker button position.

Depending on installation, important audio annunciations such as radar altimeter or autopilot disconnect will come over the speaker even if it is not selected, while other unswitched, but muted inputs, such as GPS alerts, will only be present if the SPR button is selected. Consult your professional avionics installer for these important configuration details.

3.5.1.1 Public Address Function

To access PA function, press the **Mute** and **SPR** buttons simultaneously. The pilot microphone will be heard on the speaker when the pilot PTT is used. The copilot can continue to use the selected com radio while the pilot will now be heard over the speaker. During Public Address, the **Mute** and **SPR** buttons will flash. To exit PA mode, push **Mute** and **SPR** again.



This function is not remembered when the audio panel is turned off.

3.6 Marker Beacon Operation (9)

The Marker Beacon Receiver uses visual and audio indicators to alert you when the aircraft passes over a 75 MHz transmitter.

The Blue lamp, labeled "O", is the Outer Marker lamp and has an associated 400-Hertz 'dash' tone. The lamp and tone will be keyed at a rate of two tones/ashes per second when the aircraft is in the range of the Outer Marker Beacon.

The Amber lamp, labeled "M", is the Middle Marker lamp and is coupled with a 1300 Hertz tone. It is keyed alternately with short 'dot' and long 'dash' bursts at 95 combinations per minute.

The White lamp, labeled "I", is the Inner marker and has a 3000 Hertz 'dot' tone. The lamp and tone will be keyed at a rate of six times per second.



The audio from the Marker Beacon Receiver can be heard by holding the "MKR" push-button switch for more than one second. The **AUD** indicator will come on.

There is a service adjustment located on the top of the unit to adjust the marker volume level.

Holding the MKR button for one second activates marker test lamp, labeled "T/M" and illuminates all three lamps simultaneously to assure the lamps (internal and external) are in working order. TST does not activate MM autopilot sense output. Releasing the button returns to the last sensitivity.

Pressing the marker mode select ("T/M") for one second will also cause the marker audio to mute for that beacon. The next beacon received will re-activate the audio.

The Marker sensitivity is controlled with an external switch, and defaults to Low Sensitivity (**LO SENSE**) when the switch is open. The sensitivity is indicated on the audio panel by a green "LOW" light in the MKR section.

3.7 Intercom Operation

3.7.1 IntelliVox® VOX-Squelch

No adjustment of the *IntelliVox*® squelch control is necessary. There is no field adjustment. Through three individual signal processors, the ambient noise appearing in all six microphones is constantly being sampled. Non-voice signals are blocked. When someone speaks, only their microphone circuit opens, placing their voice on the intercom. The system is designed to block continuous tones; therefore people humming or whistling in monotone may be blocked after a few moments.

For consistent performance, any headset microphone **must** be placed within ¼-inch of your lips, preferably against them. (ref: *RTCA/DO-214, 1.3.1.1 (a)*).

NOTE

It is also a good idea to keep the microphone out of a direct wind path. Moving your head through a vent air stream may cause the *IntelliVox*® to open momentarily. This is normal.

The *IntelliVox*® is designed to work with normal aircraft cabin noise levels (70 dB and above). It loves airplane noise! Therefore, it may not recognize speech and clip syllables in a quiet cabin, such as in the hangar, or without the engine running. This is normal.

For optimum microphone performance, PS Engineering recommends installation of a Microphone Muff Kit from Oregon Aero (1-800-888-6910). This will not only optimize VOX performance, but will improve the overall clarity of *all* your communications.

Manufacturer	Model	Mic Muff™ Part Number
Bose	Dynamic	90010
	Electret	90015
	M87 Dynamic	90020
David Clark	H10-30	90010
	H10-20, H10-40	90015
	H10-13.4	90015
Lightspeed	All	90015
Peltor	7003	90010
	7004	90015
Pilot	11-20 & 11-90	90015
Sennheiser		90015
Telex	Airman 750, Echelon	90015
	AIR3000	90010

Table 3-1 Mic Muff™ Part Numbers

3.7.2 Intercom Volume Control (7)

The inner volume control knob adjusts the loudness of the intercom for the pilot and copilot. It has no effect on selected radio levels, music input levels or passengers' volume level.

The outer volume control knob controls intercom volume for the passengers. It has no effect on radio or music levels.

Adjust the radios and intercom volume for a comfortable listening level. Most general aviation headsets today have built-in volume controls; therefore, volume also can be further adjusted at the individual headset.

3.7.2.1 Mono headsets in Stereo Installation

The pilot and copilot positions work with stereo or mono headsets. All passenger headsets are connected in parallel. Therefore, if a monaural headset is plugged in to a PMA8000C Stereo installation, one channel will be shorted. Although no damage to the unit will occur, all passengers with stereo headsets will not hear one channel, unless they switch to the "MONO" mode on their headset.

NOTE: COM 1 is present in the left ear, and Unswitched #1 is in the right ear, and may not be present if a monaural headset is used, depending on configuration and headset used.

3.7.3 Intercom Modes (8)

The "ICS" pushbutton switch on the left side of the panel provides the selection of the three intercom modes. The description of the intercom mode function is valid only when the unit is not in the "Split" mode. Then, the pilot and copilot intercom is controlled with the **Mute** button.

This button cycles through the intercom modes, from top to bottom, then bottom to top as: ISO, ALL Crew and Crew, ALL, ISO. An LED shows which mode is currently active.

ISO: The pilot is isolated from the intercom and is connected only to the aircraft radio system. He will hear the aircraft radio reception (and sidetone during radio transmissions). Copilot will hear passengers' intercom and entertainment, while passengers will hear copilot intercom and entertainment. Neither will hear aircraft radio receptions or pilot transmissions. The pilot can hear music if desired, this feature is not stored when the audio panel is turned off. See [§3.8.1](#)

ALL: All parties will hear the aircraft radio and intercom. Crew and passengers will hear selected entertainment. During any radio or intercom communications, the music volume automatically decreases. The music volume increases gradually back to the original level after communications have been completed.

CREW: Pilot and copilot are connected on one intercom channel and have exclusive access to the aircraft radios. They may also listen to Entertainment 1. Passengers can continue to communicate with themselves without interrupting the Crew and may listen to entertainment as configured.

3.8 Music Distribution and Music Muting (6)

The PMA8000C has one independent music input connector located in the rear. The PMA8000C also has the ability to receive streaming music from a Bluetooth-enabled device.

Music 1 will be heard by the pilot and copilot positions. Music 1 can also be distributed to the passengers by holding down the MUTE switch until you hear "Music #1, All Headsets". (See § 3.11.3). and the streamed music in the PMA8000C is also Music 1.

NOTE:

All music devices should be turned off for take-off, landing, or any critical phase of flight. FAA Regulation 14 CFR 91.21 restricts the use of portable electronic devices.

§91.21 "(a) Except as provided in paragraph (b) of this section, no person may operate, nor may any operator or pilot in command of an aircraft allow the operation of, any portable electronic device on any of the following U.S.-registered civil aircraft. . .

"(b)(5) Any other portable electronic device that the operator of the aircraft has determined will not cause interference with the navigation or communication system of the aircraft on which it is to be used."

You can refer to Advisory Circular 91.21-1A for more information, at <http://www.faa.gov>

3.8.1 Music Muting

The front panel "Mute" button has **four** modes, and controls the Mute function for Music 1.

The SoftMute™ circuit will cut the music out whenever there is conversation on the radio, the intercom, or both, depending on the “Mute” mode selected. When that conversation stops, the music returns to the previous level comfortably, over a second or so.

The mute mode functions are controlled through sequential pushes of the Mute button, and include annunciations of the mode selected.

Mode 1 - music **will** mute with *either* intercom *or* radio - MUTE button is lit. Voice annunciation is "mute on."

Mode 2 - “Karaoke” mode - music will not mute except during transmissions.- MUTE LED is OFF. Annunciation is "mute off."

Mode 3 - *Radio* will mute music, but intercom will **not** mute music - MUTE LED is OFF. Annunciation is "radio mute."

Mode 4 - Radio will **not** mute music, intercom *will* mute music - MUTE LED is OFF. Annunciation is "intercom mute."

♪ Music	Intercom	Radio	Annunciation	LED
Mode 1	Muted	Muted	“Mute on”	on
Mode 2	♪	♪	“Mute off”	off
Mode 3	♪	Muted	“Radio mute”	off
Mode 4	Muted	♪	“Intercom mute”	off

The passenger’s intercom also has a SoftMute™ circuit. If the passengers hear the radio, or talk on the intercom, the music will mute. If the audio panel is in CREW mode, then the radio reception will not affect the passenger music.

Passengers also have a Karaoke Mode. If the passengers are listening to the music 1 their Karaoke Mode is controlled by the front panel “Mute” button. If the passengers are listening to the music 2 input, their Karaoke Mode is activated by holding the **AUX** and **MUTE** buttons for more than one second.

3.8.2 Music in Pilot ISO mode

If desired, the pilot can elect to hear Music #1, in the ISO mode. While the intercom is in ISO mode, push and hold the ICS button until the ICS indicator blinks (about 1 second). This mode will be indicated by the ICS LED blinking slowly (once in every 5 seconds). The pilot will now hear Music #1, and it will mute in accordance with the Mute mode as described in §3.8. This function is not remembered when the audio panel is powered off.

3.9 Smart Function Keys (SFK)

With Virtual Tech Support, the configuration process is self-directed. SFK annunciations are heard by the pilot and copilot positions only. SFK annunciations will be heard by the copilot, even when the audio panel is in pilot isolate mode. These annunciations will be stopped by any audio received on the com radio selected for transmit.

Function A COM 3		Function B AUX		Function C MUTE		
Alternate Intercom mode		Monitor Mode		Music Distribution		
State 1	State 2	State 1	State 2	State 1	State 2	State 3

“Alternate intercom function”	“Standard Intercom Function”	“Monitor on”	“Monitor off.”	“Standard music distribution”	“Alternate music distribution”	“Music 1 all headsets”
-------------------------------	------------------------------	--------------	----------------	-------------------------------	--------------------------------	------------------------

Table 3-2 – Smart Function Key Functions, PMA8000C



Figure 3-2 Smart Function Keys

These functions are non-essential and non-required and as such are only an accessory capability. They don't affect the audio panel's primary function as a selector panel, aircraft intercom, or marker beacon receiver. You can't do anything with these buttons to prevent the PMA8000C from doing its main job.

Looking at the front panel you'll notice that the COM 3, AUX, Mute and SPR buttons have “Function” assignments.

To use these function keys “**A**,” “**B**,” “**C**” – press and hold the desired key, “Intercom” (COM 3) “Monitor” (AUX) “Music” (Mute) and “Music Volume” (SPR).

There are three special functions. Function Button “**A**” (Intercom) is related to disconnecting the passenger microphones from the crew headsets when the aircraft radio is active. This keeps passengers from interrupting the crew.

Function Button “**B**” (AUX) controls the monitor mode.

Function “**C**” (MUTE) controls how music is distributed in your airplane.

There are multiple music sources available to the PMA8000C. Music 1 input can be streamed from a Bluetooth source OR the Music 1 input at the rear connector (Pins 23 and 24 J2). Music 2 is wired into the rear connector, only (Pins 26 and 27, J2)

3.9.1 Intercom Function (A) (Alternate Intercom Function)

Intercom Function (A) controls the distribution of aircraft radio within the intercom, as well as passenger intercom muting. In the “*standard intercom function*” mode, aircraft radios are distributed to all, when the intercom is in the ALL mode. In CREW mode, only the pilot and copilot positions will hear aircraft radios.

When the **Intercom** function is toggled into “*Alternate Intercom Function*,” the passengers will NOT hear aircraft radios, even in the ALL mode. They will be able to converse with the crew. However, when the aircraft radio becomes active, the intercom audio from the passengers is removed from crew headsets, allowing the crew to focus on the radio. The passengers will still be able to talk to each other.

3.9.2 Monitor Function (B) (Monitor Mode)

Pressing **Monitor** function (AUX button) will activate or deactivate the COM radio monitor function. When the Monitor is on, the audio from the COM that is selected for reception only (only top LED illuminated) will be muted when the radio that is selected to transmit becomes active.

This function is useful if you are copying weather from AWOS on COM 2, but have clearance delivery tuned in on COM 1. With the monitor active, the AWOS audio will be silenced when clearance delivery starts to speak.

When you press AUX button for more than one second, the audio will announce “Monitor on,” when activated, and “Monitor off” when deactivated. Also the LED will flash on the audio panel telling you that you’re in the monitor mode for that particular Com.

NOTE: This mode is NOT remembered through power cycles, to prevent inadvertent blocking of desired audio on your next trip.

3.9.3 Music Function (C) (Music Distribution Control)

Music Function (Mute button) allows you either send the Music 1 input to all intercom stations, all of the time, or have other distribution rules apply to your music inputs.

When “*Music one all headsets*” is selected, Music 1 (from the rear connector input, Pins J2 23 & 24 only) will be distributed to all headsets and is independent of the intercom mode switch. Therefore, even in the CREW mode, the passengers will hear Music 1, even though they will not hear the intercom or radios.

This mode allows you to use a single in-flight entertainment source aboard, and to send it everywhere, even in crew mode. The music muting will be normal, and follow the selected mode of the crew or passengers.

Music function also allows you to configure your music to be either *independent* of the intercom mode, or to make Music 2 *dependent* on the intercom mode.

When you press Music function again, you’ll hear, “*Alternate Music distribution.*” In this case, Music 2 will be active *only* when the intercom is in the CREW mode, and only the passengers will hear it. This distribution is similar to other brands of audio panels. It allows the passengers to have their music source come on only when they are not hearing the crew.

Press again, and you will hear “*Standard Music Distribution.*” In this mode, Music 2 becomes active, and will always be presented to the passengers on the intercom. Music 1 is only available to the pilot and copilot. The intercom mode switch doesn’t have any effect on the music distribution.

When the music is standard, Music 1 will always go to the pilot and copilot positions, and is never heard by the passengers. Music 2 is always heard by the passengers, and never heard by the pilot and copilot.

This mode is useful if your passengers have a different interest in entertainment or are watching a DVD, but do not want to be excluded from the intercom conversations.

The pilot and copilot will always hear **Music 1** through the unit rear connector. This is present in ALL and CREW intercom modes, and available to the copilot position in ISO mode.

The pilot can hear this music source in ISO mode, if desired, as follows: In the ISO mode, hold the ICS switch for more than one second. The ICS mode LED will blink slowly to indicate music is connected to the pilot headset, although the intercom is not. Cycling power will disable this feature.

Music 2 is provided to the passenger positions regardless of intercom mode, when the audio panel is in *Standard Music Distribution*, and also in *Alternate Music Distribution*, but only if the intercom is in the CREW mode. The pilot and copilot can never hear **Music 2**, under any condition.

If the passengers always want to hear the source in **Music 1**, input through the rear connector, regardless of the intercom mode (ISO/ALL/CRW), select “*Music 1 all headsets.*”

Music Distribution Mode	Standard Music Distribution			Alternate Music Distribution			Music 1 All Headsets		
	All	Crew	ISO	All	Crew	ISO	All	Crew	ISO
Music Source / ICS Mode									
Bluetooth® Stream	Crew	Crew	Copilot*	Crew & Pass	Crew	Copilot* & Pass	Crew	Crew	Copilot*
Music 1 Input	Crew	Crew	Copilot*	Crew & Pass.	Crew	Copilot* & Pass.	Crew & Pass.	Crew & Pass.	Copilot* & Pass.

Music 2 Input	Pass.	Pass.	Pass.		Pass.				
*Pilot has Music 1 option in ISO mode									

Table 3-3 Music Distribution

3.9.4 Music 1 Volume

In general, we recommend adjusting the entertainment volume at the sources, and only using this as a master gain control. However, the Music 1 PMA8000C input can be adjusted from the front panel, if desired, by pressing the button.

The Music 1 volume can be adjusted from the front panel, if desired, by pressing the **Music Volume (SPR)** button. When you press and hold the SPR button for more than one second, you'll hear a chime, and then the music will either increase or decrease, depending on the last operation. If the music is decreasing, and you want it louder, release the button, and then hold it again until there a chime, followed by increasing music. The chime volume is not related to the music volume.

Note: Since it is possible to turn the volume completely off, you may need to turn the volume up if you don't hear music when you expect to.

It will take about 10 seconds to go from minimum to maximum volume.

NOTE: Increasing the volume to max level has the potential of increasing undesired noises that could be coming from music sources. It's preferred to leave this volume factory set a mid-range and use your music source to increase the gain.

3.10 Bluetooth® interface

The PMA8000C has a Bluetooth interface. The audio panel is always “discoverable,” so you just need to search for the PMA8000C from your Bluetooth-equipped phone or music source. The default access code is 0000, if needed. Once the PMA8000C has been “paired” with your Bluetooth device, the TEL distribution will act as described in § 3.4.

Calls are answered or made from the telephone handset. You can disconnect from the handset.

3.10.1 Pairing and unpairing Bluetooth devices

The PMA8000C can be paired with up to eight individual devices. When that number is exceeded, one device will be automatically un-paired to allow the new device. The device eliminate will be selected at random by the Bluetooth module. *Hint, if your old phone is not recognized by the PMA8000C, you may simply need to re-pair.*

3.10.1.1 Pairing separate music and telephone devices

It is possible to use a different music source (iPad, iPod with Bluetooth adapter, Bluetooth enabled laptop, etc.) and telephone. However, the music source must be paired **first, before** the telephone, if the telephone also has music streaming capability. Otherwise, the Smartphone will also take over the music streaming. Note: iPhones will probably take control over other music devices. In Droid you may select music or phone only. With Blackberry, you may have to manually select the PMA8000C as audio source for each call.

If the PMA8000C fails to connect to multiple sources, you may need to reset the connection mode. To reset the Bluetooth pairing scheme, turn off the audio panel, and turn back on while holding the NAV 2 and ADF buttons. Hold the buttons until you hear a chime in the pilot's headset.

3.10.1.2 Changing access codes

If desired, you can change the 4-digit code needed to pair your device. Hold the button shown in the following table and turn the PMA8000C on. You will hear a tone indicating that the code was changed.

Hold button on power up	Pairing Code
COM 3	0000 (default)
NAV 1	1234
NAV 2	1111

3.10.1.3 Bluetooth Reset



If the Bluetooth stops responding to paired devices, it may be because of corrupted device data. Simply reset the Bluetooth system as follows:

1. Power off audio panel
2. Put the pilot's headset on
3. Hold down NAV2 and ADF buttons at the same time
4. Turn ON the audio panel, and continue to hold down the two buttons for about 5 seconds or there is a "ding" sound in headset, if you do not hear this chime start over.
5. Audio panel is re-initiation complete
6. Remove PMA8000C device from your smart phone
7. Search for Bluetooth devices from your smart phone
8. Select PMA8000C
9. If password is required try 0000 or 1234
10. Once paired stream music and place phone call

3.10.2 Bluetooth Telephone Mode

When a Bluetooth-enabled telephone is paired and connected with the PMA8000C, the audio panel will serve as a connection to the aircraft occupants. You can make and answer calls from the telephone handset. When the handset is active, the audio will be routed to the passengers and crew as follows:

In **ALL** intercom mode, all crew and passengers will be heard on the phone when they speak. All will hear selected audio. COM audio is automatically heard in the headsets.

In **CREW** mode, the pilot and copilot are connected to the telephone. The pilot and copilot will have transmit capability on the other selected transceiver COM 1 or 2, simply by using their respective PTT switch.

In **ISO** intercom mode, when the PMA8000C is in the **TEL** mode, the pilot position is in the "Phone Booth." Only the pilot will hear the telephone, and only he will be heard. He will also have access to COM 1 or 2, and will transmit on that radio using the PTT. All selected audio is provided.

Warning:

United States FCC Regulations contained in 47 CFR § 22.925 contain prohibition on airborne operation of cellular telephones. "Cellular telephones installed in or carried aboard airplanes, balloons or any other type of aircraft must not be operated while such aircraft are airborne (not touching the ground). When any aircraft leaves the ground, all cellular telephones on board that aircraft must be turned off."

NOTE

Because the cell phone uses an intercom circuit, all stations on that circuit will lose intercom capability when the cell phone is in use. Intercom conversations will still be present if the cell phone provides sidetone, or if the audio panel is modified for telephone sidetone.
PS Engineering does not guarantee compatibility with personal cellular telephones.

3.10.2.1 Cellular telephone sidetone

As shipped from PS Engineering, the PMA8000C does provide cellular telephone sidetone (the user's voice fed back to the headset). Some cell phones do provide sidetone. In PMA8000C Telephone sidetone can be enabled/disabled by pressing the COM 3 XMT and ADF buttons for more than one second.

3.10.3 Power on announcement

If the **Intercom** or **Music Distribution** is changed from the factory default, the configuration will be played

when the unit is powered up. To defeat this announcement, press the COM 3 XMT and AUX buttons at the same time. The feature can be enabled again using the same sequence.

3.11 Internal Recorder and playback

The PMA8000C comes equipped with an internal recorder. This digital system stores the last incoming audio from the radio you have selected for transmit. It can store as many of 8 incoming messages, and up to 60 seconds of audio. The pilot and copilot hear the playback. It is also possible to modify the unit to exclude the copilot from the playback, and annunciation playback. Contact PS Engineering, for more details.

Recording is automatic. To play back the last recorded message, press and hold the COM Receive pushbutton associated with the selected radio transmitter for about one (1) second. You can either wait for the message to finish playing before accessing the prior message, or cancel the current playback and step backward. To cancel the playback, press and hold the COM receive playback button for two seconds (2). The next time the button is pressed for one (1) second, the next earlier message will be heard. The playback will stop whenever there is more incoming selected com audio, and the message can be replayed from the beginning by pressing the selected COM Receive

button again for 1 second.



Figure 3-3 Playback Controls

Section IV – Warranty and Service

4.1 Warranty

In order for the factory warranty to be valid, the installations in a certified aircraft must be accomplished by an FAA-(or other ICAO agency) certified avionics shop and authorized PS Engineering dealer. If the unit is being installed by a non-certified individual in an experimental aircraft, a factory-made intercom harness must be used for the warranty to be valid.

PS Engineering, Inc. warrants this product to be free from defect in material and workmanship for a period of three (3) years from the date of sale. During the first **twelve (12) months** of the three-year warranty period, PS Engineering, Inc., at its option, will send a replacement unit at our expense if the unit should be determined to be defective after consultation with a factory technician. For the remaining **twenty-four (24) months** of the three-year warranty period, PS Engineering, Inc., at its option, will send a similar replacement unit at the customers expense if the unit should be determined to be defective after consultation with an authorized PS Engineering dealer.

All transportation charges for returning the defective units are the responsibility of the purchaser. All domestic transportation charges for returning the exchange or repaired unit to the purchaser will be borne by PS Engineering, Inc. The risk of loss or damage to the product is borne by the party making the shipment, unless the purchaser requests a specific method of shipment. In this case, the purchaser assumes the risk of loss.

This warranty is not transferable. Any implied warranties expire at the expiration date of this warranty. PS Engineering SHALL NOT BE LIABLE FOR INCIDENTAL OR CONSEQUENTIAL DAMAGES. This warranty does not cover a defect that has resulted from improper handling, storage or preservation, or unreasonable use or maintenance as determined by us. This warranty is void if there is any attempt to disassemble this product without factory authorization. This warranty gives you specific legal rights, and you may also have other rights, which may vary from state to state. Some states do not allow the exclusion of limitation of incidental or consequential damages, so the above limitation or exclusions may not apply to you.

All items repaired or replaced under this warranty are warranted for the remainder of the original warranty period. PS Engineering, Inc. reserves the rights to make modifications or improvements to the product without obligation to perform like modifications or improvements to previously manufactured products.

4.2 Factory Service

The units are covered by a three-year limited warranty. See warranty information. Call PS Engineering, Inc. at (865) 988-9800 before you return any unit. This will allow the service technician to provide any other suggestions for identifying the problem and recommend possible solutions.

After discussing the problem with the technician and you obtain a Return Authorization Number, ship product to:

PS Engineering, Inc.
Attn: Service Department
9800 Martel Rd
Lenoir City, TN 37772
(865) 988-9800 FAX (865) 988-6619
Email: support@ps-engineering.com

Units that arrive without an RMA number, or telephone number for a responsible contact, will be returned un-repaired. PS Engineering is not responsible for items sent via US Mail.

Appendix A – External PTT Hook Up

Part of the installation includes the installation of PTT (Push To Talk) switches that allow the use of your aircraft radio for communications transmissions.

There are three possible configurations; you must select the case that best fits your installation.

NOTE: Only the person who presses their PTT switch will be heard over the radio.
--

CASE I

The PTT is built into the pilot and copilot yokes

Simply install the plugs from the headset into the aircraft headphone jacks. Then use the yoke mounted PTT to transmit. No other action is required.

CASE II

Built in PTT only on the pilot side only

This configuration requires a modified external PTT switch plugged into the copilot's mic jack. (See Details Below) When the copilot's PTT is depressed, this activates an internal relay that switches the mic audio to the aircraft radio from the pilot to the copilot.

Case III

No built in PTT switch at all.

Two built-in PTT must be installed, or two external, modified PTT switches will be required for both the pilot and copilot. Modifications to the PTT are required. (See details below)

Push To Talk Modifications

When received from the manufacturer, an after-market PTT switch opens the mic audio path to the "ring" connection of the PTT mic plug until the button is pressed. When the PTT is between the intercom and the headset, the intercom function will not work unless the PTT switch is depressed. A simple modification can be performed to allow proper intercom operation. NOTE: This mod does not alter normal operation.

Below are some examples of typical modifications. Contact the PTT manufacturer for more details if necessary.

Procedures For David Clark PTT

Unscrew the round black plastic cover from the jack.
Connect the joined black wires to the red wire.
Replace the round black plastic cover.

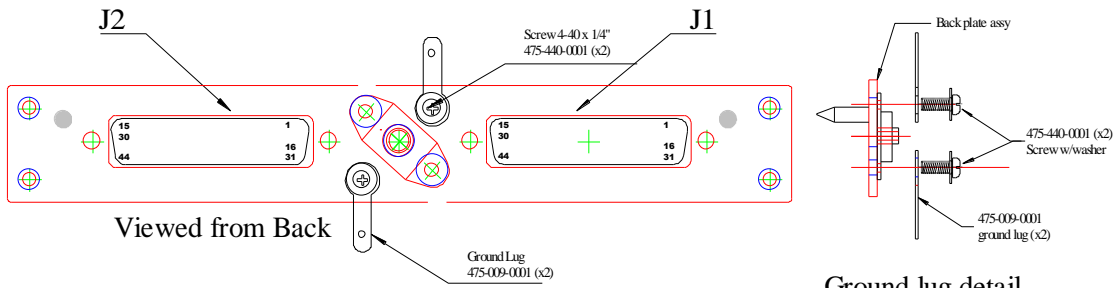
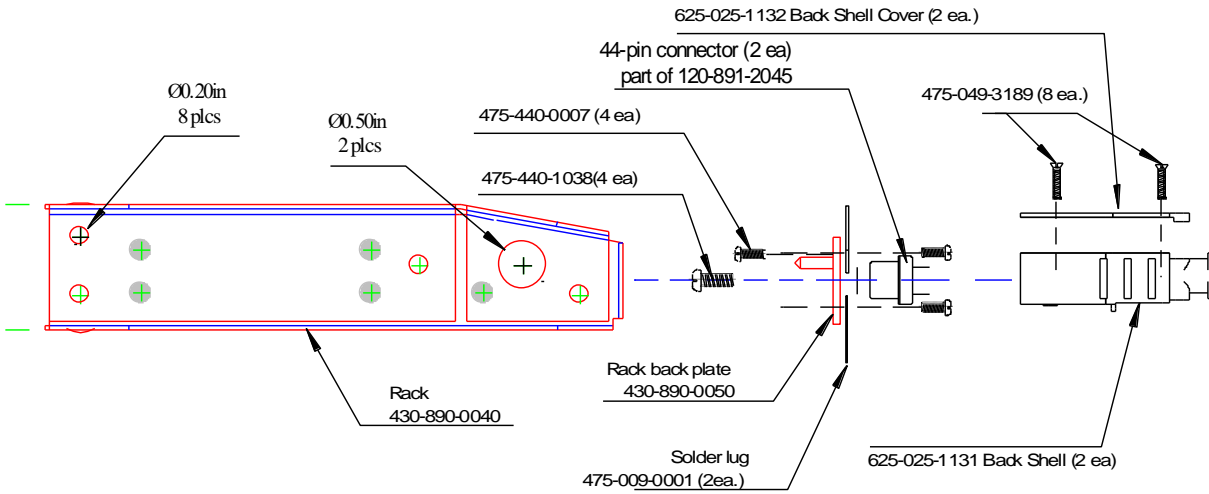
Procedures for Telex PT-200

Unscrew the round black plastic cover from the jack.
Cut the red wire in the middle of the wire.
Strip both ends of the insulation.
Solder the two ends to the ground lug to the PTT jack.
Replace the round black plastic cover.

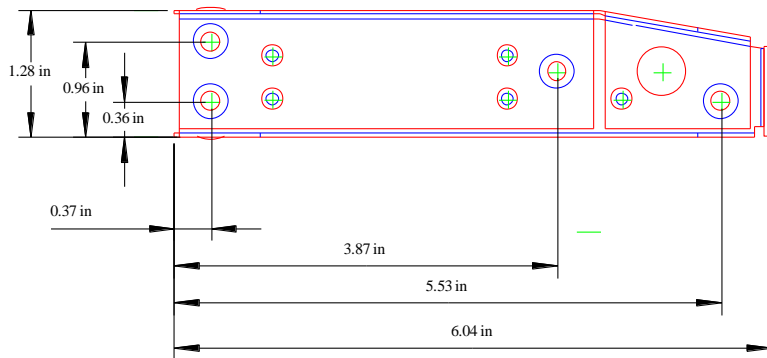
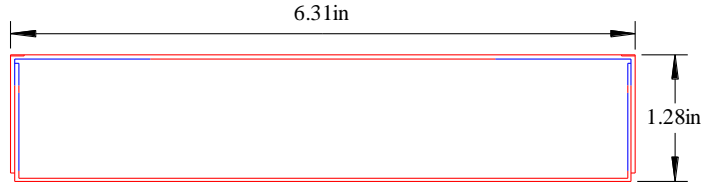
Procedures for Telex PT-300

Unscrew the round black plastic cover from the plug jack.
Remove the heat shrink material from the joined black wires.
Solder these two wires to the lug that has a white wire already soldered to it.
Replace the round black plastic cover

Appendix B – PMA8000C Installation Drawings

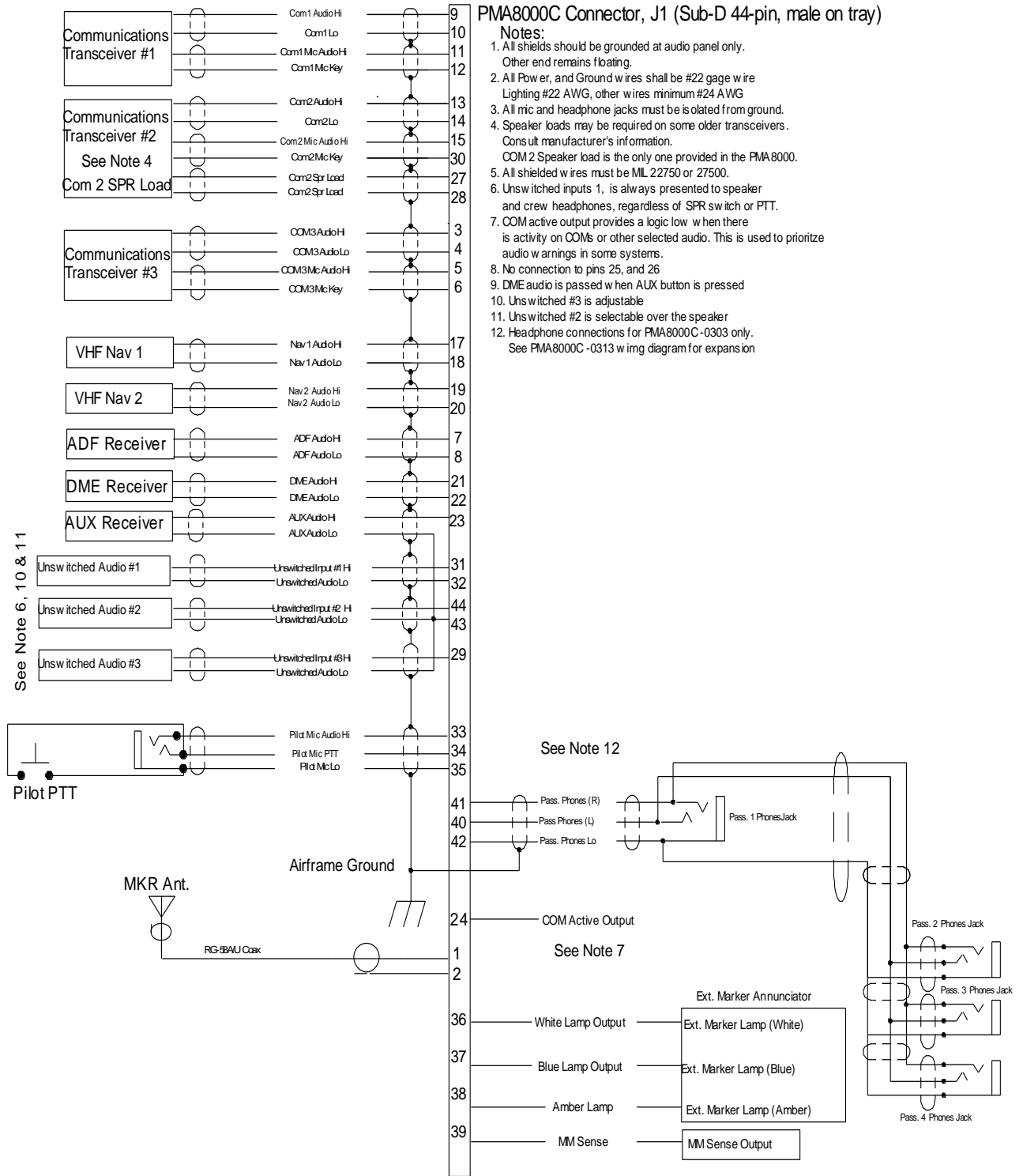


Rear plate detail (not to scale)

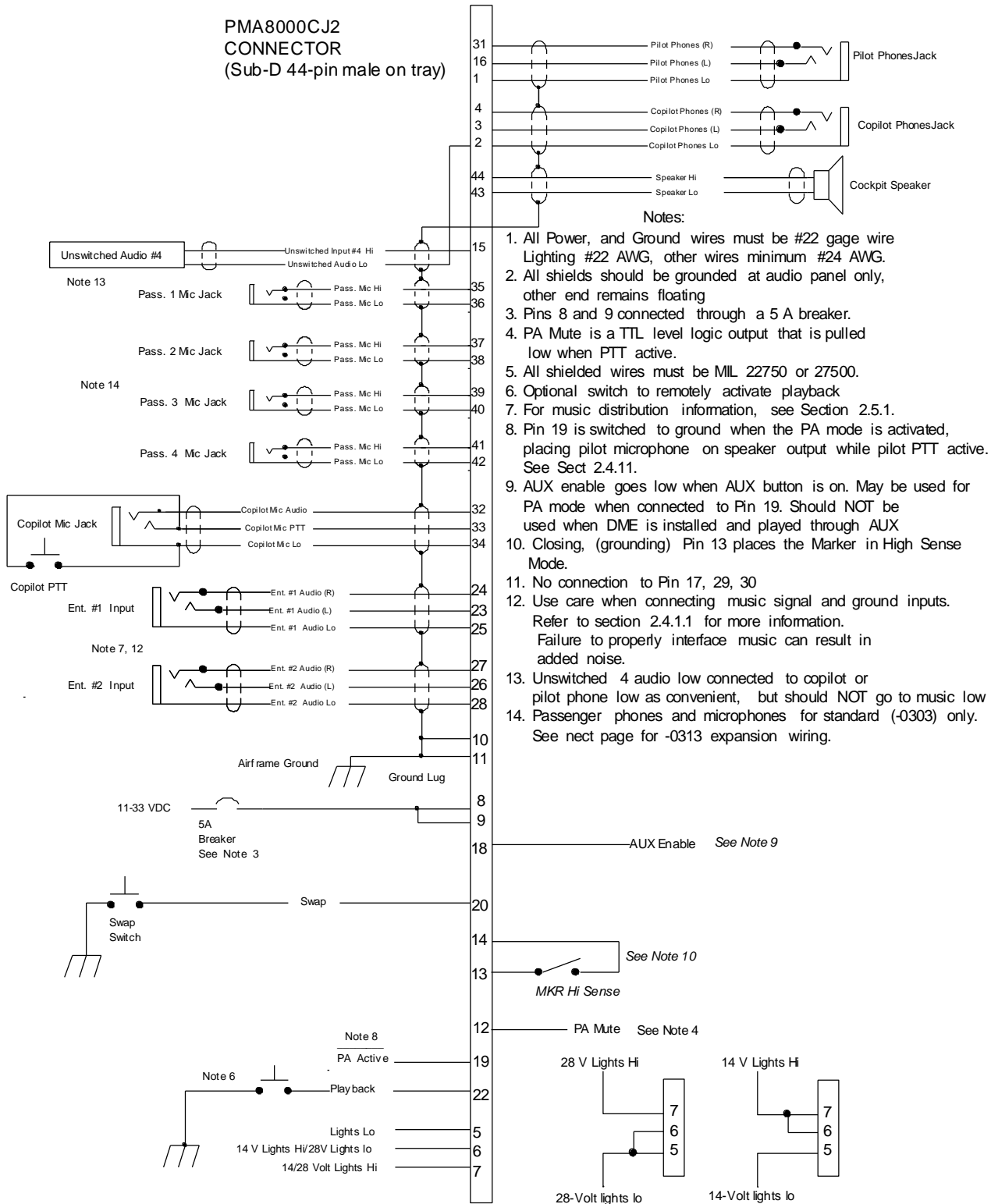


Caution: Apply steady pressure to the bezel while screwing the unit into the tray to ensure even seating of the unit and connectors.

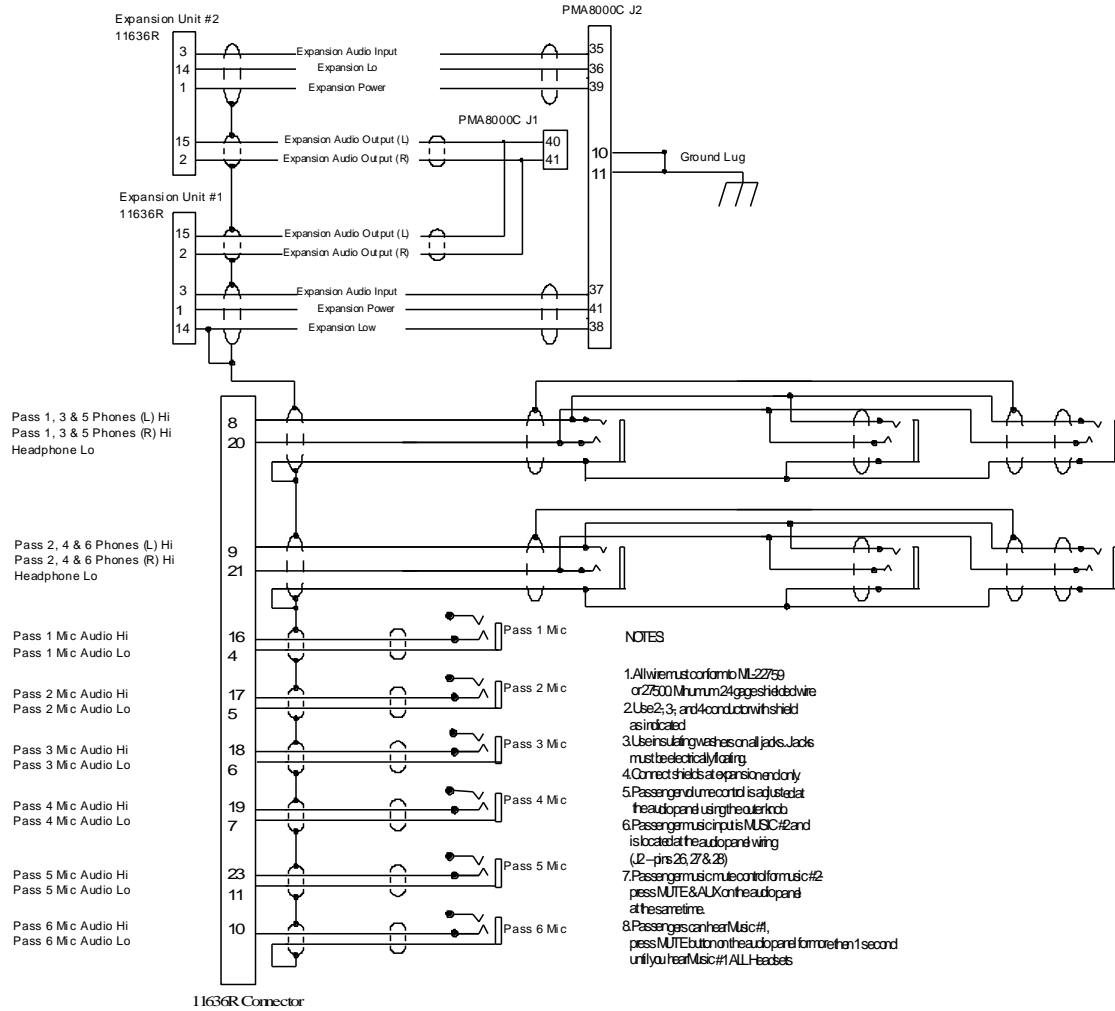
Appendix C – J1 PMA8000C Connector Interconnect



Appendix D – J2 Connector Interconnect



PMA8000C with Expansion (Unit 050-890-0313 only)



Appendix E – Instructions for FAA Form 337 and continuing airworthiness

9.1 Instructions for FAA Form 337, Audio Panels

One method of airworthiness approval is through an FAA Form 337, *Major Repair and Alteration (Airframe, Powerplant, Propeller, or Appliance)* In the case of the PMA8000C, you may use the following text as a guide.

Installed audio selector and 6-place intercom, PS Engineering PMA8000C, part number 050-890-(XXXX) in (location) at station _____. Installed per *AC43.13-2, Chapter 2, paragraph 23* (Instrument Panel Mounting). Installed per PS Engineering *Installation Operators Manual* p/n 200-890-(XXXX), revision (), dated ().

These units are FAA-Approved under TSO C50c for audio amplifiers, and/or TSO C35d for Marker Beacon Receivers, and meets appropriate environmental qualifications outlined in RTCA DO-160D as appropriate or this aircraft.

Interface to existing aircraft radios in accordance with installation manual and in compliance with practices listed in *AC43.13-2, Chapter 2*. All wires are Mil-Spec 22759 or 27500. Connection to aircraft dimmer bus is _____. Power is supplied to the unit through a 3A circuit breaker (type and part number), and total electrical load does not exceed ____% of the electrical system capacity with the PMA8000C added.

Aircraft equipment list, weights and balance amended. Compass compensation checked. A copy of the operation instructions, contained in PS Engineering document 202-890-(), revision (), dated (), is placed in the aircraft records. All work accomplished listed on Work Order_____.

9.2 Instructions for Continuing Airworthiness, Audio System

Sample ICA Checklist for PS Engineering Audio System:

Section	Item	Information
1	Introduction	Installation of audio control panel with integrated marker beacon receiver and intercommunications system.
2	Description	Installation as described in manufacturer's installation manual referenced on FAA Form 337, including interface with other avionics audio as required.
3	Controls	See installation and operator's guide referenced on FAA Form 337.
4	Servicing	None Required
5	Maintenance Instructions	On Condition, no special instructions
6	Troubleshooting	In the event of a unit problem, place the unit into "off," "fail-safe" and/or "emergency" mode. This allows pilot communications using COM 1. Follow checkout instructions in the installation manual referenced on the FAA Form 337. For a specific unit fault, contact the manufacturer at (865) 988-9800 for special instructions.
7	Removal and replacement information	<u>Removal:</u> Using a 3/32" Allen-head wrench, carefully unscrew the locking screw located in the center of the unit. While turning the wrench CCW, gently pull on the EDGES of the bezel until the unit is free from the mounting tray. <u>Installation:</u> Engage the locking screw at the back. Turn the locking screw CW, while applying slight pressure to the edges of the bezel. Do not over tighten!
8	Diagrams	Not applicable
9	Special Inspection Requirements	Not Applicable
10	Protective Treatments	Not Applicable
11	Structural Data	Not Applicable
12	Special Tools	None
13	Not Applicable	Not Applicable
14	Recommended Overhaul Periods	None
15	Airworthiness Limitations	Not Applicable
16	Revision	To be determined by installer

Appendix F – RTCA DO160D Environmental Qualification Form

Audio Selector Panel/Intercom/Marker Beacon Receiver

Part Number: 050-890-()

FAA TSO Number: C50c, C35d

Manufacturer: PS Engineering Incorporated 9800 Martel Road Lenoir City TN 37772

Conditions	Section	Conducted Tests
Temperature and Altitude	4.0	Equipment tested to CAT A1 & D1
Low Temperature	4.5.1	-55° C Survival, -15°C Low Operating (A1)
High Temperature	4.5.2	+85°C Survival, +70°C High Short Time Operating
In-flight Loss of Cooling	4.5.4	Not Applicable, no cooling required
Altitude	4.6.1	50,000' unpressurized (D1)
Decompression	4.6.2	Not Applicable
Overpressure	4.6.3	Not Applicable
Temperature variation	5.2	Equipment tested to Category C
Humidity	6.0	Equipment tested to Category A
Shock	7.0	Equipment tested to Operational test only
Operational	7.2	Equipment tested to Operational test only
Crash Safety	7.3	Equipment tested to Operational test only
Vibration	8.0	Equipment tested to Category S, Zone M
Explosion	9.0	Category X, not tested
Waterproofness	10.0	Category X, not tested
Fluids Susceptibility	11.0	Category X, not tested
Sand and Dust	12.0	Category X, not tested
Fungus	13.0	Category X, not tested
Salt Spray	14.0	Category X, not tested
Magnetic Effect	15.0	Equipment tested to Category Z
Power input	16.0	Equipment tested to Category B
Voltage Spike	17.0	Equipment tested to Category A
Audio Frequency Susceptibility	18.0	Equipment tested to Category B
Induced Frequency Susceptibility	19.0	Equipment tested to Category A
Radio Frequency Susceptibility	20.0	Equipment tested to Category T
Radio Frequency Emission	21.0	Equipment tested to Category B
Lightning Induced Transient Susceptibility	22.0	Equipment tested to Category XXE2
Lightning Direct Effects	23.0	Category X, not tested
Icing	24.0	Category X, not tested
ESD	25.0	Category X, not tested