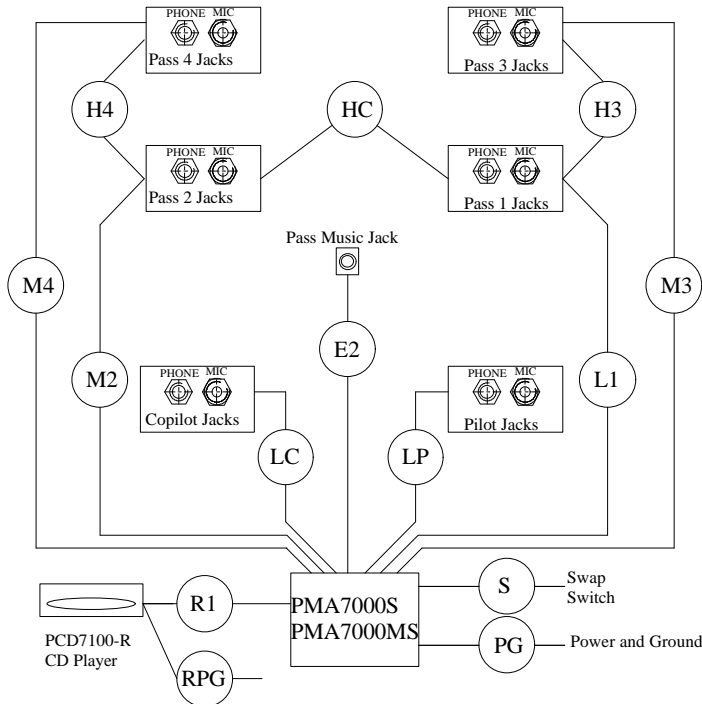


PMA7000MS-CD HARNESS ORDER SHEET

HARNESS IS NON CANCELLABLE AND NON RETURNABLE

NAME: _____ DATE: _____
 ADDRESS: _____ PHONE: _____
 _____ Ship Method: _____
 City: _____ State: _____
 Zip/Post Code: _____
 Visa/MC#: _____ Expiration: _____
 Aircraft Make & Model: _____

Designation	Location	Length (feet)	Excess Length
R1	PMA7000 to PCD7100-R		Additional cost if over 3 ft.
RPG	PCD7100-R to Power and ground		Additional cost if over 3 ft.
E2	PMA7000 to Passenger Music Jack (#2)		Additional cost if over 3 ft.
S	PMA7000 to Swap Switch (not included).		Additional cost if over 5 ft.
LP	PMA7000 to Pilot Mic and Headphone Jacks		Additional cost if over 3 ft.
LC	PMA7000 to Copilot Mic and Headphone Jacks		Additional cost if over 4 ft.
L1	PMA7000 to Passenger 1 Mic and Headphone		Additional cost if over 12 ft.
M2	PMA7000 to Passenger 2 Microphone Jacks		Additional cost if over 10 ft.
M3	PMA7000 to Passenger 3 Microphone Jacks		Additional cost if over 10 ft.
M4	PMA7000 to Passenger 4 Microphone Jacks		Additional cost if over 10 ft.
HC	Pass 1 to Pass 2 Headphone Jacks		Additional cost if over 12 ft.
H3	Pass 1 Headphone to Passenger 3 Headphone		Additional cost if over 10 ft.
H4	Pass 2 Headphone to Passenger 4 Headphone		Additional cost if over 10 ft.
PG	PMA7000 Aircraft Power and Ground		Additional cost if over 10 ft.
****	Special Options, such as IRS or Expansion, call for additional information.		



**Harness Part Number
 15715 (6-place)**

Notes:

Each harness is professionally manufactured using Mil-Spec, Tefzel shielded cable, and is clearly marked for easy identification using heat shrink labeling.

Turn-around time is 2-business days from receipt of completed worksheet, or shipping is free.

RADIO INTERFACE NOT INCLUDED

Jacks are not included.

Please specify if mic and headphone jacks are to be added.

Special Instructions: _____

Harness pricing can be found at:

www.ps-engineering.com/pricing.shtml

DOC: 15715-022001