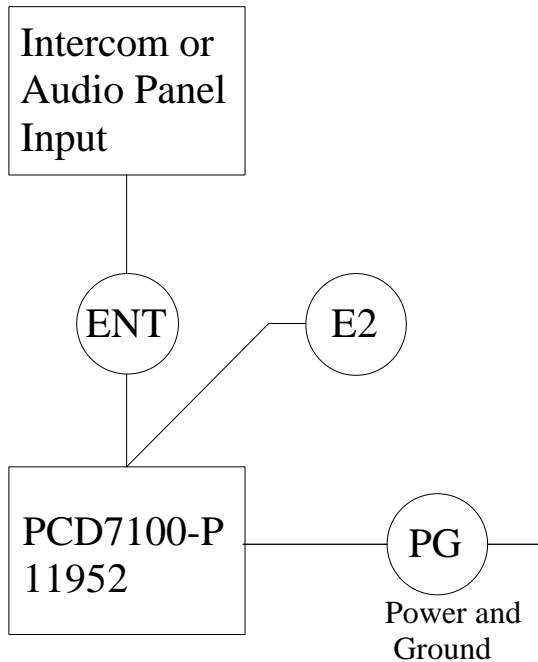


**PCD7100-P (PLAYER ONLY, P/N 11952)
HARNESS ORDER SHEET**

HARNESS IS NON CANCELLABLE AND NON RETURNABLE

NAME: _____ DATE: _____
 ADDRESS: _____ PHONE: _____
 _____ Ship Method: _____
 City: _____ State: _____
 Zip/Post Code: _____
 Visa/MC#: _____ Expiration: _____
 Aircraft Make & Model: _____

Designation	Location	Length (feet)	Excess Length
ENT	PCD7100-P to Music Input of Intercom or audio panel		Additional cost if over 8 ft.
E2	PCD7100-P Music Output to second music input of audio panel or other intercom (optional)		Additional cost
PG	Power and Ground		Additional cost if over 4 ft.



**Harness Part Number
15510 CD Player Only**

Notes:

Each harness is professionally manufactured using Mil-Spec, Tefzel shielded cable, and is clearly marked for easy identification using heat shrink labeling.
 Turn-around time is 2-business days from receipt of completed worksheet, or shipping is free.

Special Instructions: _____

Harness pricing can be found at:
www.ps-engineering.com/pricing.shtml

DOC 15510NP-011801