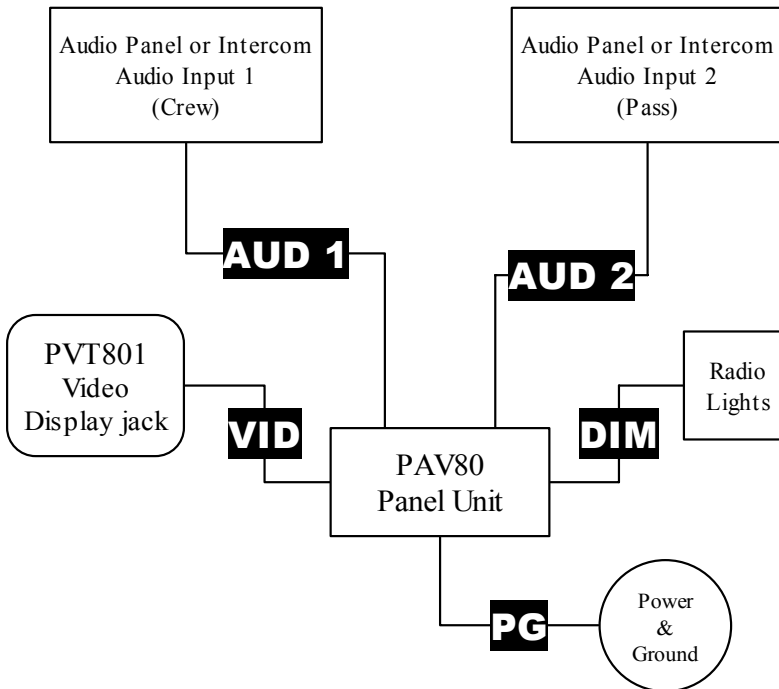


PAV80 DVD-IFE SYSTEM (SINGLE DISPLAY)
HARNESS ORDER SHEET

HARNESS IS NON CANCELLABLE AND NON RETURNABLE

NAME: _____ DATE: _____
 ADDRESS: _____ PHONE: _____
 _____ Ship Method: _____
 City: _____ State: _____
 Zip/Post Code: _____
 Visa/MC#: _____ Expiration: _____
 Aircraft Make & Model: _____ Voltage (14 or 28V)

Designation	Location	Length (feet)	Excess Length
VID	PAV80 Video Output to PVT801 jack		Additional Cost if over 8 ft.
AUD1	PAV80 to Music Input of Intercom or audio panel		Additional cost if over 8 ft.
AUD2	PAV80 Music Output to second music input of audio panel or other intercom (optional)		Additional cost if over 8 ft.
DIM	PAV80 to Aircraft Radio Light Dimmer		Additional Cost if over 4 ft.
PG	Power and Ground		Additional cost if over 4 ft.



Harness Part Number
16101 CD Player Only

Notes:

Each harness is professionally manufactured using Mil-Spec, Tefzel shielded cable, and is clearly marked for easy identification using heat shrink labeling.

Turn-around time is 2-business days from receipt of completed worksheet, or shipping is free.

Special Instructions: _____

CALL or FAX FOR PRICING: _____

DOC. 16101-030904